



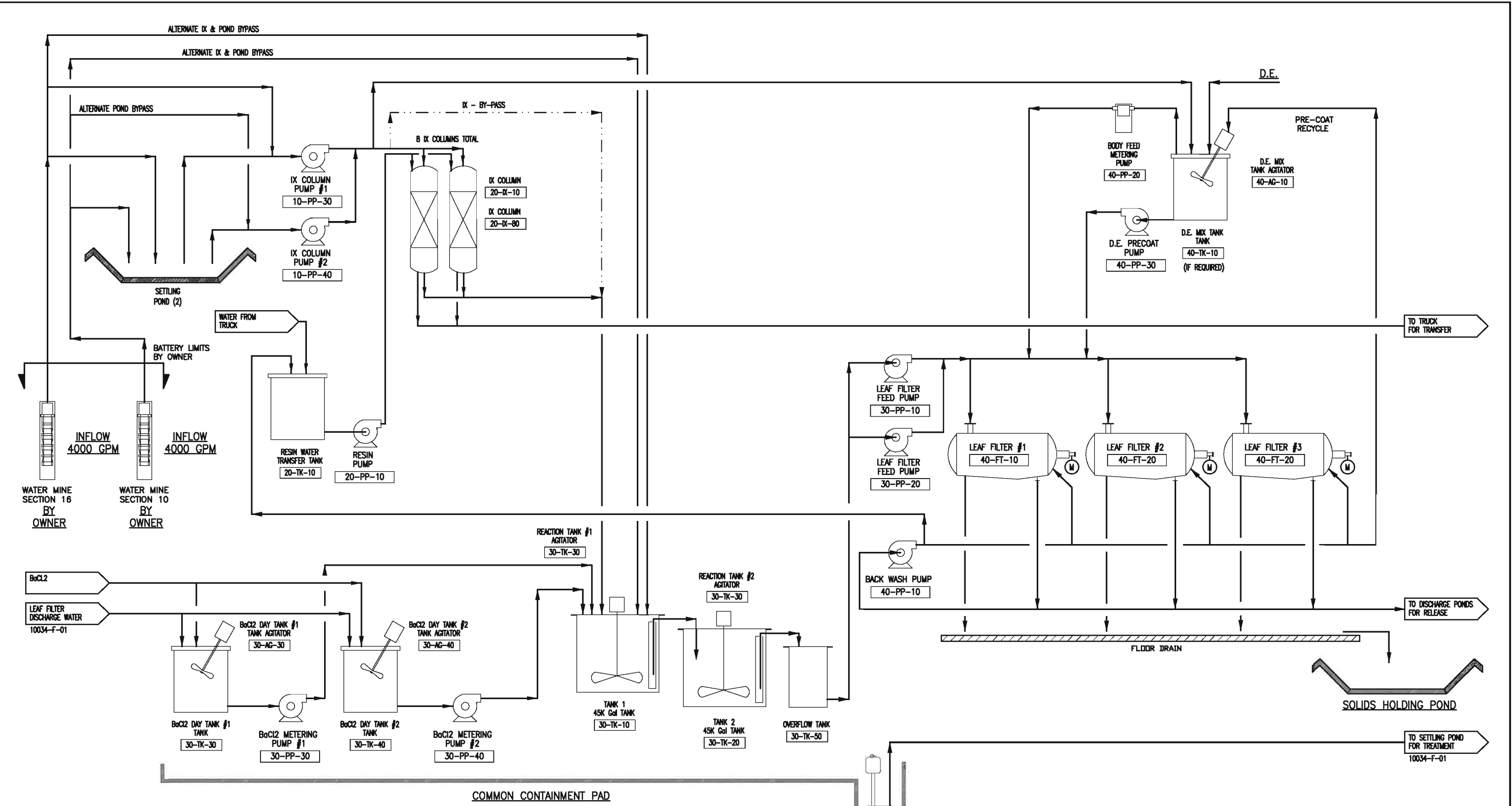
## **Appendix A- Drawings**

---

- A.1 Process Flow Diagram
- A.2 Piping and Instrumentation Diagrams
- A.3a Plant General Arrangement
- A.3b Plant General Arrangement
- A.4 Civil Drawings
- A.5 Electrical



## **A.1 Process Flow Diagram**



**LEGEND:**

---	ALTERNATIVE FLOW
-----	------------------

**DRAWING REVIEW**

- Reviewed: No Exceptions Noted
- Reviewed: Exceptions Noted
- Reviewed: Revise & Resubmit

NAME \_\_\_\_\_ DATE \_\_\_\_\_

**WORK IN  
PROGRESS**  
 NOT RELEASED  
 NOT FOR REFERENCE

DRAWING NO.		DRAWING TITLE	
REFERENCE DRAWINGS			
CAD-OP	LANDERSON	08-27-10	DATE/TIME LAST MODIFIED
CKD.			083010.0900
P.M.	ROD SMITH	09-02-10	DRAWING NO.
CLIENT			
SCALE:	( )		

A CLIENT REVIEW			
NO	REVISIONS	BY	APP DATE
		<b>Roca Honda Resources LLC</b> <b>STRATHMORE MINERALS CORP</b>	
<b>WATER TREATMENT PLANT</b> <b>FLOW DIAGRAM 8000 GPM</b>			
DRAWING NO.		DRAWING TITLE	
CAD-OP	LANDERSON	08-27-10	DATE/TIME LAST MODIFIED
CKD.			083010.0900
P.M.	ROD SMITH	09-02-10	DRAWING NO.
CLIENT			
SCALE:	( )		
			10034-F-01
			C



## **A.2 Piping and Instrumentation Diagrams**

PIPING AND INSTRUMENT DIAGRAMS

SYMBOLS	DESCRIPTION	ABBREVIATIONS
	HAND SWITCH - HAND/OFF/AUTOMATIC (3 POSITION ROTARY SELECTOR SWITCH)	
	HAND SWITCH - START/STOP (2 POSITION ROTARY SELECTOR SWITCH)	
	MAGNETIC FLOWMETER	
	3-WAY VALVE	3W
	BALL VALVE	BV
	V BALL VALVE	VB
	BUTTERFLY VALVE OR DAMPER VALVE	BF
	CHECK VALVE	CV
	DIAPHRAGM VALVE	
	DART VALVE	DV
	GATE VALVE	GV
	GLOBE VALVE	
	KNIFE VALVE OR SLIDE GATE VALVE	KV
	NEEDLE VALVE	NV
	RUBBER PINCH VALVE	RPV
	PLUG VALVE	PV
	PRESSURE SAFETY VALVE	PSV
	PRESSURE CONTROL REGULATOR/VALVE	PRV
	OOLE MFR - FCV VALVE	
	Y STRAINER	YS
	DIAPHRAGM VALVE OPERATOR	
	HAND VALVE OPERATOR	
	RUPTURE DISK OR SAFETY HEAD FOR PRESSURE RELIEF	
	VALVE OPERATOR S - SOLENOID M - MOTOR P - PNEUMATIC	
	MOTOR	
	DRAIN	
	INTERLOCK	
	DIAPHRAGM ISOLATOR	
	HOSE CONNECTION, OR QUICK DISCONNECT	
	ORIFICE PLATE	
	FLOW ELEMENT	
*	INDICATES ITEMS FURNISHED W/ EQUIPMENT	
	BLIND FLANGE	BLF
	FLANGES	
	PROCESS PIPING W/FLOW DIRECTION	
	REDUCER - CONNECTION	
	TUBING COMPRESSION FITTING	
	ULTRASONIC PROBE	
	PNEUMATIC LINE	
	VENDOR BATTERY LIMIT	
	HEAT DETECTOR	
	TIMER OR TIME CONTROL	
	HOUR METER	

STANDARD INSTRUMENT IDENTIFICATION

	FIRST LETTER		SUCCEEDING LETTERS		
	MEASURED OR INITIATED VARIABLE	MODIFIER	READOUT OR PASSIVE FUNCTION	OUTPUT FUNCTION	MODIFIER
A	ANALYSIS		ALARM		
B	BURNER, COMBUSTION		USER'S CHOICE	USER'S CHOICE	USER'S CHOICE
C	CONDUCTIVITY (ELECTRICAL)			CONTROL	CLOSED
D	DENSITY (MASS OR SPECIFIC GRAVITY)	DIFFERENTIAL	DISCONNECT		
E	VOLTAGE (EMF)		ELEMENT (PRIMARY SENSOR)		
F	FLOW RATE	RATIO (FRACTION)			FAIL
G	USER'S CHOICE		GLASS (VIEWING DEVICE)		
H	HAND (MANUALLY OPERATED)				HIGH
I	CURRENT (ELECTRICAL)		INDICATE		
J	POWER	SCAN			
K	TIME, TIMER, SCHEDULE	TIME RATE OF CHANGE		CONTROL STATION	
L	LEVEL		LIGHT		LOW
M	MOISTURE, HUMIDITY	MOMENTARY			MIDDLE, INTERMEDIATE
N	VIBRATION INDICATOR				
O	OPACITY/TURBIDITY		ORIFICE, RESTRICTION POINT (TEST) CONNECTION		OPEN
P	PRESSURE, VACUUM				
PH	PH		USER'S CHOICE	USER'S CHOICE	USER'S CHOICE
Q	QUANTITY	INTEGRATE, TOTALIZE			
R	RADIATION		RECORD		
S	SPEED, FREQUENCY (SOLENOID WHEN PRECEDING VALVE)	SAFETY	SWITCH		
T	TEMPERATURE			TRANSMIT	
U	MULTIVARIABLE		MULTIFUNCTION	MULTIFUNCTION	MULTIFUNCTION
V	VIBRATION, MECHANICAL ANALYSIS			VALVE, DAMPER, LOUVER	
W	WEIGHT, FORCE		WELL		
X	FAULT OR STATUS (UNCLASSIFIED)	X AXIS	UNCLASSIFIED	UNCLASSIFIED	INDICATOR
Y	EVENT, STATE, OR PRESENCE	Y AXIS		RELAY, COMPUTE, CONVERT	
Z	POSITION, DIMENSION	Z AXIS		DRIVER, ACTUATOR UNCLASSIFIED FINAL CONTROL ELEMENT	

ABBREVIATIONS FOR EQUIPMENT IDENTIFICATION

AC - AIR COMPRESSOR	FA - FAN	RD - RAKE DRIVE
AF - APRON FEEDER	FB - FINE ORE BIN	RL - RAKE LIFT
AG - AGITATOR	FE - DRY FEEDER/MIXER	SA - SAMPLER
BB - BAG BREAKER	FH - FEED HOPPER	SF - SCREW FEEDER
BF - BELT FEEDER	FL - FLOTATION CELLS	SL - LIME SILO
BL - BLOWER (AIR)	GD - GATE DIVERTER	SV - STAR VALVE
BN - BIN	GE - GENERATOR	TB - TRASH BIN
BS - BELT SCALE	HO - HOIST/CRANE	TH - THICKENER TANK
BV - BIN VENT	LS - LIME SLAKER	TK - TANK
CH - CHUTE	LU - LUBE SYSTEM	TM - CLARIFIER MECHANISM
CV - CONVEYOR	MD - METAL DETECTOR	VB - BIN VIBRATORY
DC - DUST COLLECTOR	MM - METAL MAGNET	WM - WEIGHTOMETER
DF - DUPLEX FILTER	PP - PUMP	
EW - EYE WASH		

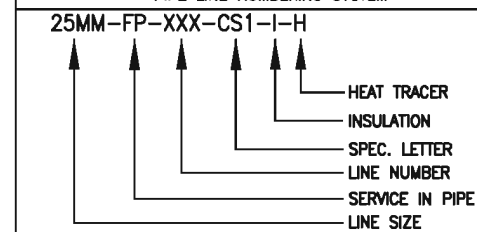
SERVICE ABBREVIATIONS

BL - BLOWER
CRW - COOLING RAW WATER
DRN - DRAIN
FP - FUEL, PROPANE
FL - FLOCCULANT
FLT - FILTRATE FROM FILTERS
FRW - FIRE RAW WATER
ISA - INSTRUMENT SERVICE AIR
MOL - MILK-OF-LIME
MWD - MISC. WATER DRAINS
PSA - PLANT SERVICE AIR
PW - POTABLE WATER
RCY - REAGENT CYANIDE
RF - REAGENT FLOTATION
Sly - SLURRY
SRW - SEAL RAW WATER
VAC - VACUUM
VNT - VENT
VAPOR - VAP
WRW - WELL RAW WATER
TW - TREATED WATER

SPEC. & MATERIAL ABBREVIATIONS

CU - COPPER PIPE OR TUBING
CS1 - CARBON STEEL, S/80, SCRD, 3000#
CS2 - CARBON STEEL, S/40 WT, WELDED, GROOVE
GI - GALV. PIPE, CS, S/80, SCRD, 3000#
BI - BLACK IRON, CS, S/80, SCRD, 3000#
HD - HDPE (HIGH DENSITY POLYETHYLENE)
PP - POLYPROPYLENE
PVC - POLYVINYL CHLORIDE
RH - RUBBER HOSE
RRH - REINFORCED RUBBER HOSE
SS - STAINLESS STEEL, TUBING, PIPE

PIPE LINE NUMBERING SYSTEM



MILLIMETERS (MM) TO INCHES CONVERSION FOR THIS PROJECT

6MM = 1/4"	125MM = 5"
13MM = 1/2"	150MM = 6"
19MM = 3/4"	200MM = 8"
25MM = 1"	250MM = 10"
32MM = 1 1/4"	300MM = 12"
38MM = 1 1/2"	350MM = 14"
50MM = 2"	400MM = 16"
64MM = 2 1/2"	450MM = 18"
75MM = 3"	500MM = 20"
100MM = 4"	600MM = 24"

DRAWING NO. DRAWING TITLE

REFERENCE DRAWINGS

THIS DRAWING WAS PREPARED BY LYNTEK, ALL OF THE INFORMATION CONTAINED THEREIN IS THE PROPERTY OF LYNTEK AND NO REPRODUCTION CAN BE MADE WITHOUT THE PROPER WRITTEN AUTHORIZATION OF LYNTEK.

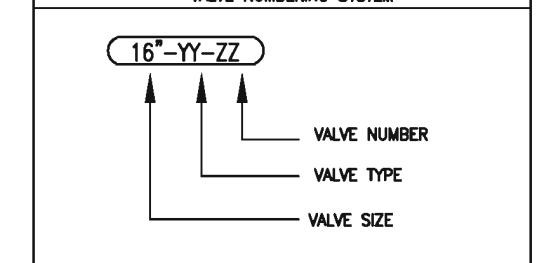
INSTRUMENT INSTALLATION NOTES

- PIPING ARRANGEMENTS SHOWN ARE SCHEMATIC. INSTRUMENT LOCATIONS ARE APPROXIMATE. THEY MAY BE MOUNTED ON ADJACENT COLUMNS WALLS OR STRUCTURE. CAUTION SHOULD BE USED TO AVOID STRUCTURAL MEMBERS THAT ARE SUBJECT TO VIBRATION.
- ALL FIELD INSTRUMENTS NOT INTEGRAL WITH PROCESS PIPING ARE TO BE LOCATED 4'-6" FROM FLOOR OR PLATFORM UNLESS NOTED OTHERWISE
- PROCESS CONNECTIONS TO FIELD MOUNTED EQUIPMENT ARE TO BE SLOPED A MINIMUM OF 1/4" PER FOOT. SLOPE TOWARD PROCESS CONNECTION FOR GASES, AWAY FROM PROCESS CONNECTIONS FOR STEAM AND LIQUID APPLICATIONS. LOW POINT DRAINS AND HIGH POINT VENTS WILL BE PROVIDED AS SHOWN ON THE INSTRUMENT DRAWINGS
- ALL TUBING SHALL BE INSTALLED AND RUN TO PRESERVE MAXIMUM CLEARANCE AND HEADROOM. ROUTING SHOULD NOT INTERFERE WITH PLANT MAINTENANCE AND OPERATIONS.
- UNSUPPORTED AND/OR UNPROTECTED INDIVIDUAL TUBING RUNS WILL BE RUN IN 1 1/2"x1 1/2"x1/8" CHANNEL FIELD TO ROUTE AND SUPPORT CHANNEL AS NECESSARY.
- INSTRUMENT SIGNAL WIRING SHALL NOT BE RUN IN THE SAME CONDUIT AS POWER WIRING.
- SPLICING OF INSTRUMENT SIGNAL WIRES WILL NOT BE ALLOWED.
- SHIELDING FOR INSTRUMENT SIGNAL WIRES WILL BE GROUNDED AT THE CONTROL PANEL ONLY.

INSTRUMENT SYMBOLS

	LOCALLY MOUNTED	PANEL MOUNTED OR CABINET MOUNTED	PLC
LOCAL INSTRUMENT			
AUTO/MANUAL			
START-STOP PB'S			
HAND-OFF-AUTO			
CONVEYOR EMERGENCY STOP PULL CABLE			
CONVEYOR TRAVEL LIMIT			
ISOLATION DIAPHRAGM			
CONTROL PANEL			
PLC CONTROL SYSTEM			
VARIABLE FREQUENCY DRIVE			
POWER SAFETY DISCONNECT			

VALVE NUMBERING SYSTEM



A ISSUED FOR REVIEW DT RS 21-09-10

NO REVISIONS BY APP DATE

Strathmore Roca Honda Resources LLC STRATHMORE MINERALS CORP

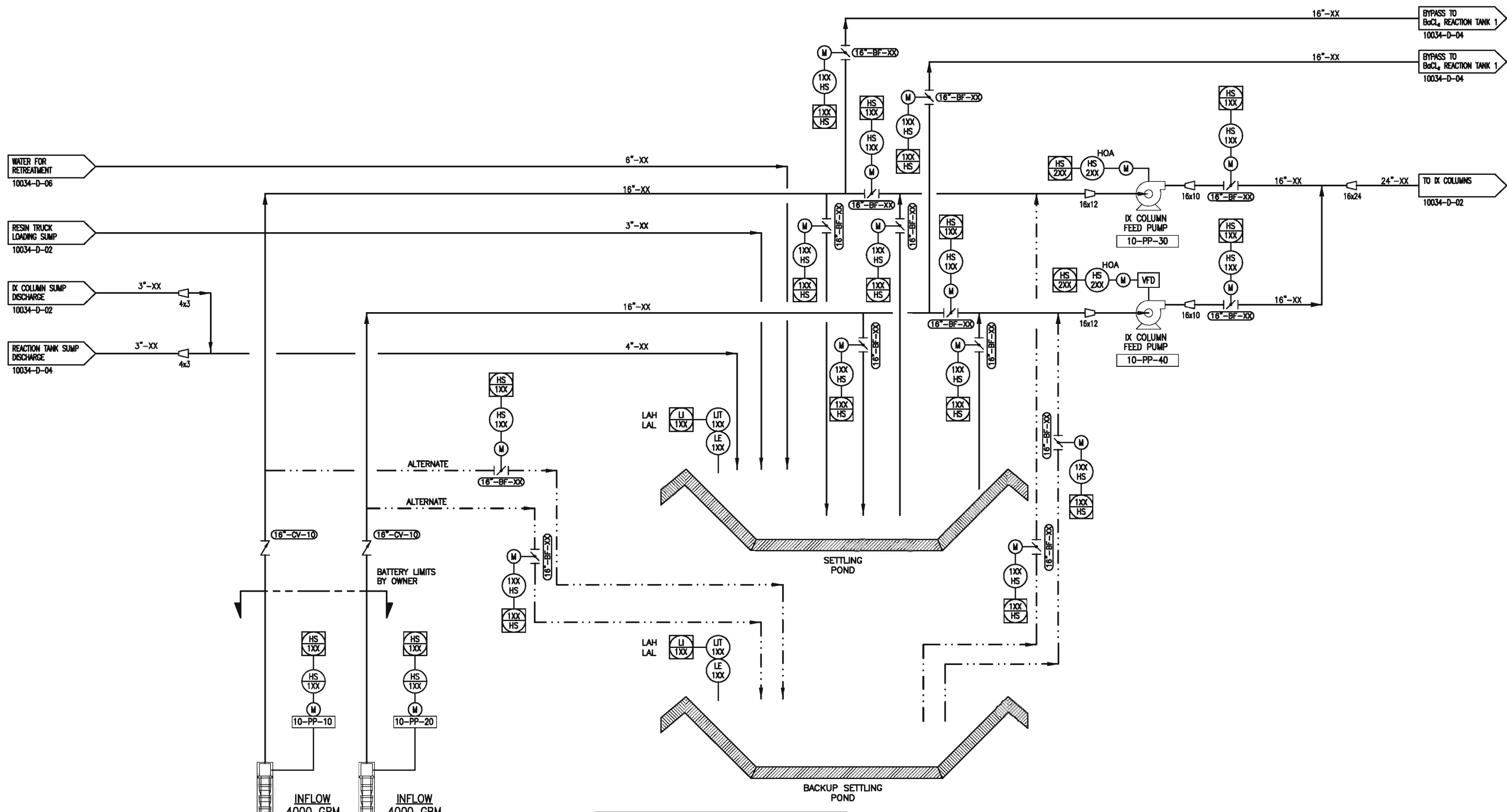
P&ID SYMBOLS

LYNTEK INCORPORATED

CAD-OP MEJ 21-09-10 DATE/TIME LAST MODIFIED

CKD. RS DRAWING NO. REV.

CLIENT SCALE: ( ) 10034-X-02 A



**LEGEND:**

	HAND SWITCH
	MOTOR
	FLOW METER
	ALTERNATIVE FLOW
	ELECTRICAL SIGNAL

WATER MINE SECTION 16  
BY OWNER

WATER MINE SECTION 10  
BY OWNER

**DRAWING REVIEW**

Reviewed: No Exceptions Noted

Reviewed: Exceptions Noted

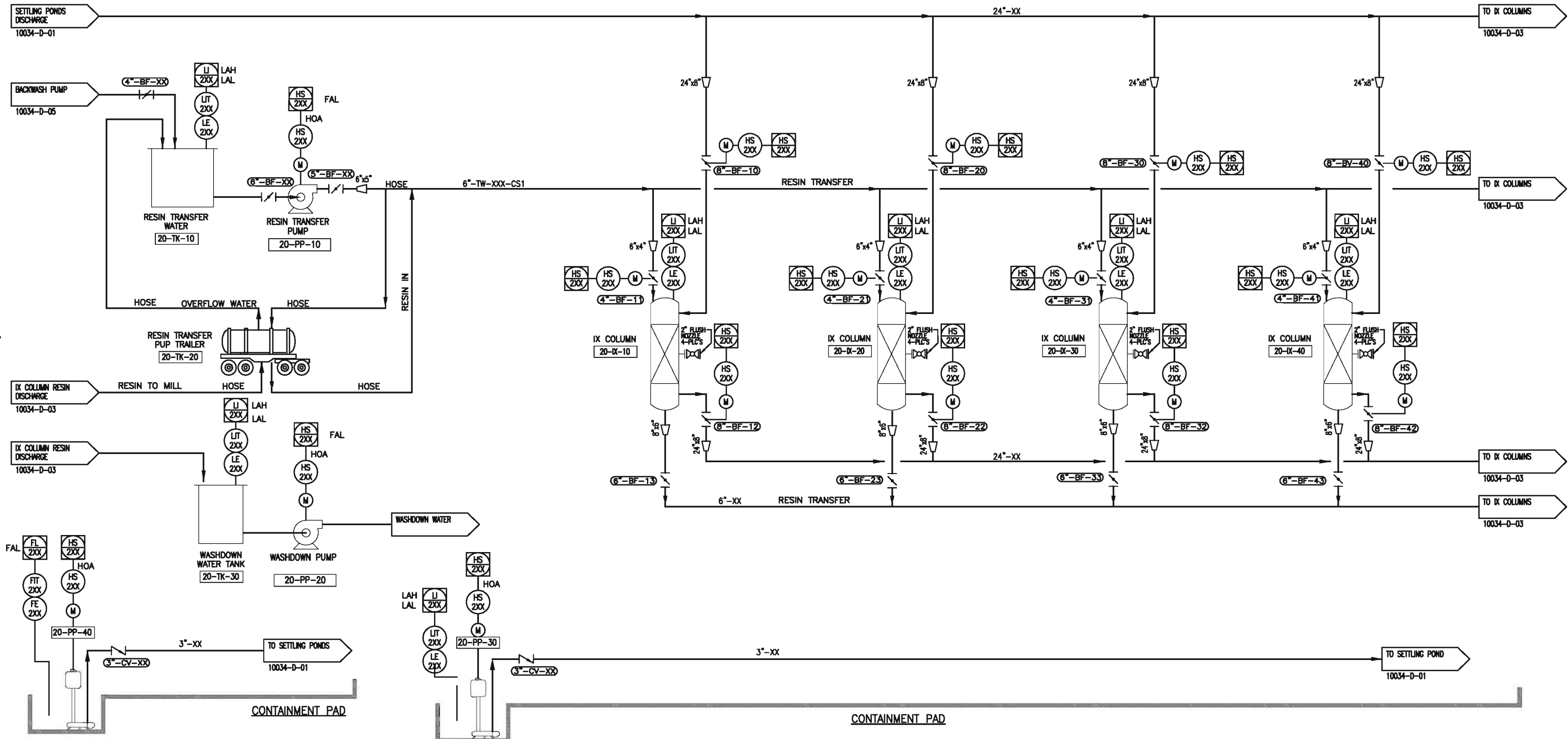
Reviewed: Revise & Resubmit

NAME \_\_\_\_\_ DATE \_\_\_\_\_

**WORK IN PROGRESS**  
NOT RELEASED  
NOT FOR REFERENCE

DRAWING NO.	DRAWING TITLE
REFERENCE DRAWINGS	
THIS DRAWING WAS PREPARED BY LYNTEK, ALL OF THE INFORMATION CONTAINED THEREIN IS THE PROPERTY OF LYNTEK AND NO REPRODUCTION CAN BE MADE WITHOUT THE PROPER WRITTEN AUTHORIZATION OF LYNTEK.	

A CLIENT REVIEW			
NO	REVISIONS	BY	APP DATE
		Roca Honda Resources LLC STRATHMORE MINERALS CORP	
PLANT FEED SETTLING POND P & ID 8000 GPM WTP			
CAD-OP	LANDERSON	08-12-10	DATE/TIME LAST MODIFIED
CKD.			083110.1300
P.M.	R.SMITH		DRAWING NO.
CLIENT			10034-D-01
SCALE:	( )		REV. B



**LEGEND:**

	HAND SWITCH
	MOTOR
	FLOW METER
	ALTERNATIVE FLOW
	ELECTRICAL SIGNAL

**DRAWING REVIEW**

Reviewed: No Exceptions Noted

Reviewed: Exceptions Noted

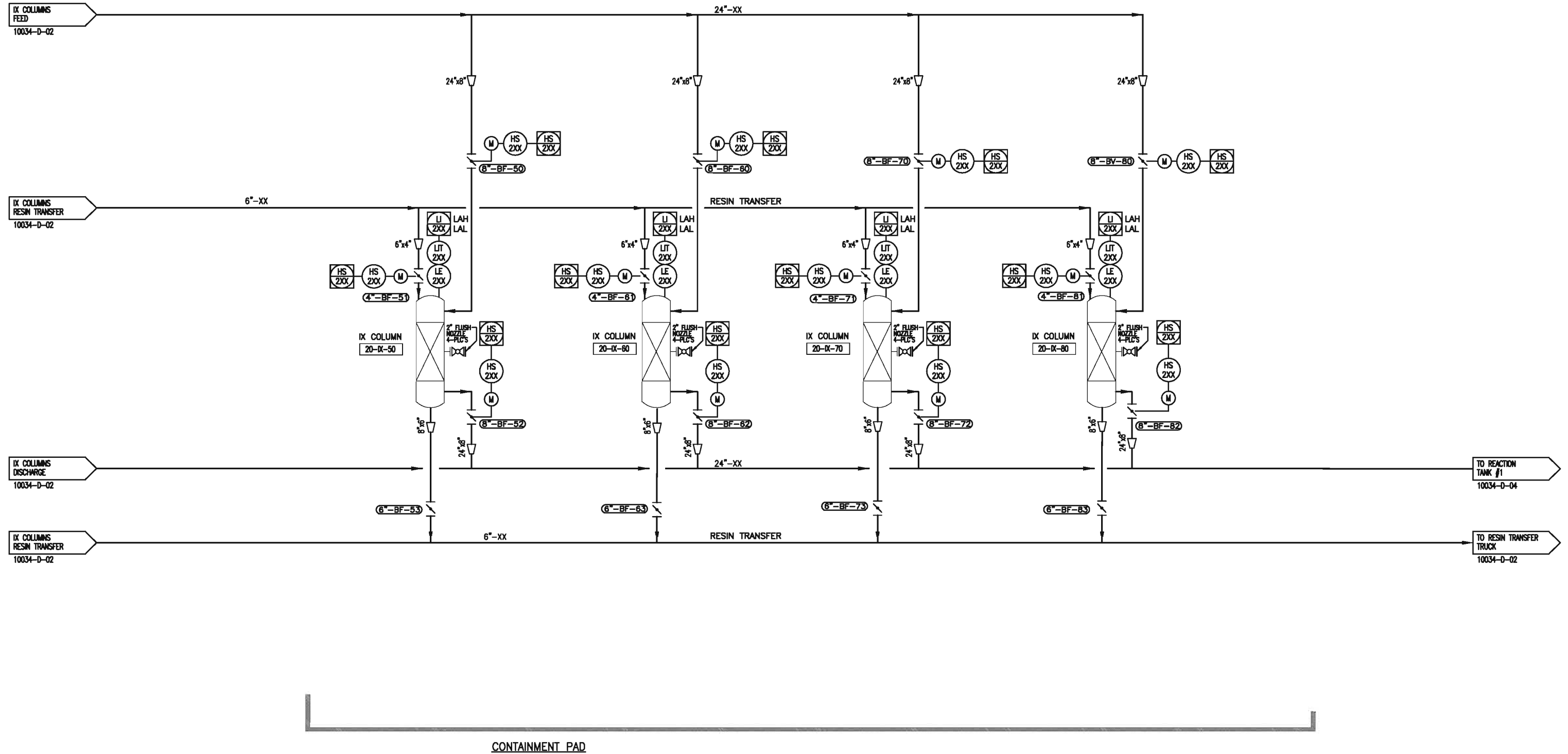
Reviewed: Revise & Resubmit

NAME \_\_\_\_\_ DATE \_\_\_\_\_

**WORK IN PROGRESS**  
NOT RELEASED  
NOT FOR REFERENCE

DRAWING NO.	DRAWING TITLE
REFERENCE DRAWINGS	
THIS DRAWING WAS PREPARED BY LYNTEK, ALL OF THE INFORMATION CONTAINED THEREIN IS THE PROPERTY OF LYNTEK AND NO REPRODUCTION CAN BE MADE WITHOUT THE PROPER WRITTEN AUTHORIZATION OF LYNTEK.	

A CLIENT REVIEW			
NO	REVISIONS	BY	APP DATE
		Roca Honda Resources LLC STRATHMORE MINERALS CORP	
<b>IX COLUMNS &amp; RESIN TRANSFER</b> <b>8000 GPM WTP</b>			
CAD-OP	LANDERSON	08-12-10	DATE/TIME LAST MODIFIED
CKD.			083110.1615
P.M.	R.SMITH		DRAWING NO.
CLIENT			10034-D-02
SCALE:	( )		REV. B



LEGEND:	
	HAND SWITCH
	MOTOR
	FLOW METER
	ALTERNATIVE FLOW
	ELECTRICAL SIGNAL

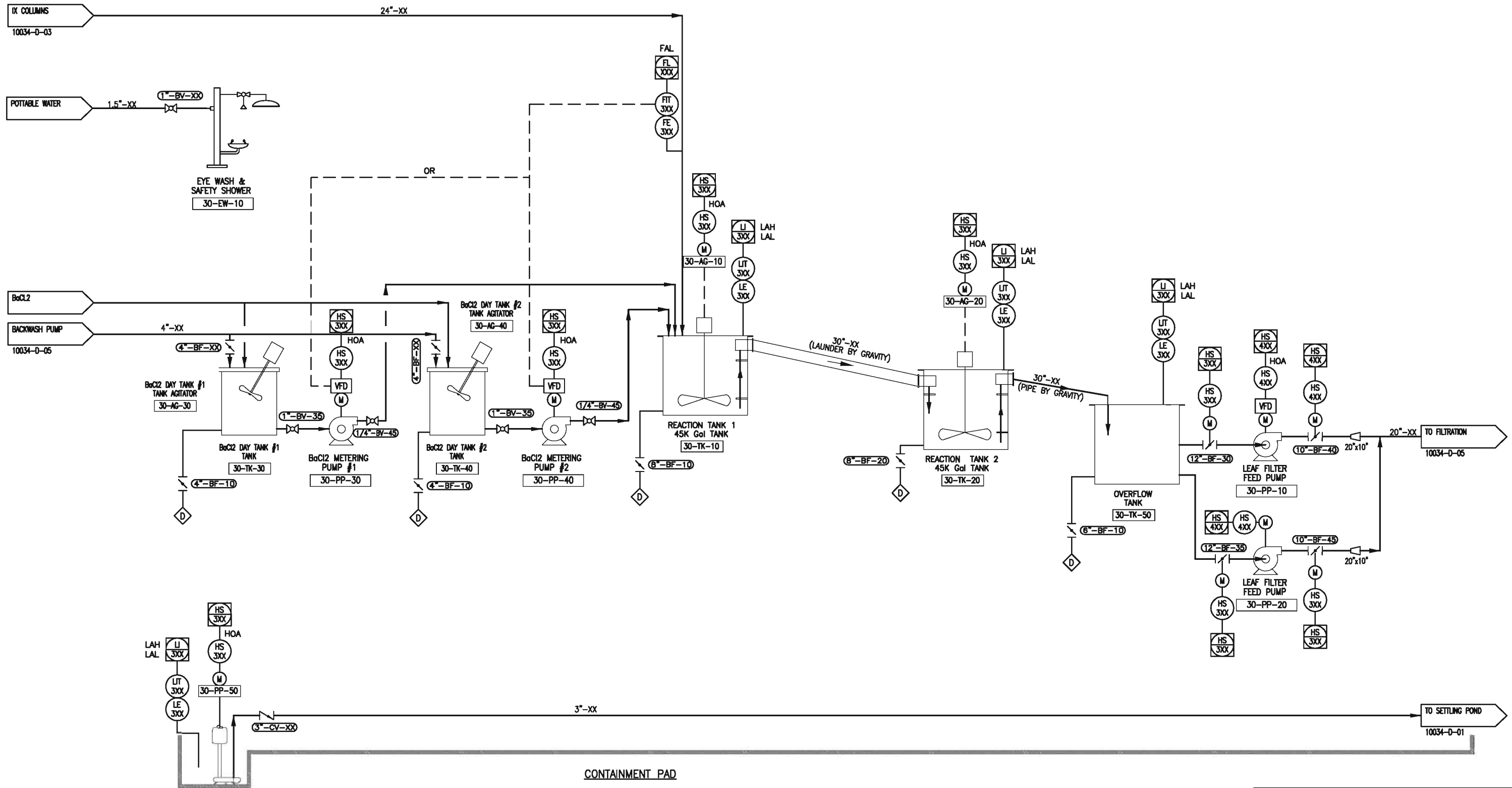
DRAWING REVIEW	
<input type="checkbox"/>	Reviewed: No Exceptions Noted
<input type="checkbox"/>	Reviewed: Exceptions Noted
<input type="checkbox"/>	Reviewed: Revise & Resubmit
NAME _____	DATE _____

WORK IN  
 PROGRESS  
 NOT RELEASED  
 NOT FOR REFERENCE

DRAWING NO.	DRAWING TITLE
10034-D-03	IX COLUMNS 8000 GPM WTP
REFERENCE DRAWINGS	
CAD-OP	LANDERSON
CKD.	08-12-10
P.M.	R.SMITH
CLIENT	
SCALE:	( )

A CLIENT REVIEW			
NO	REVISIONS	BY APP	DATE
Roca Honda Resources LLC STRATHMORE MINERALS CORP			
<b>LYNTEK</b> INCORPORATED			
DATE/TIME LAST MODIFIED		083110.1615	
DRAWING NO.	10034-D-03	REV.	A





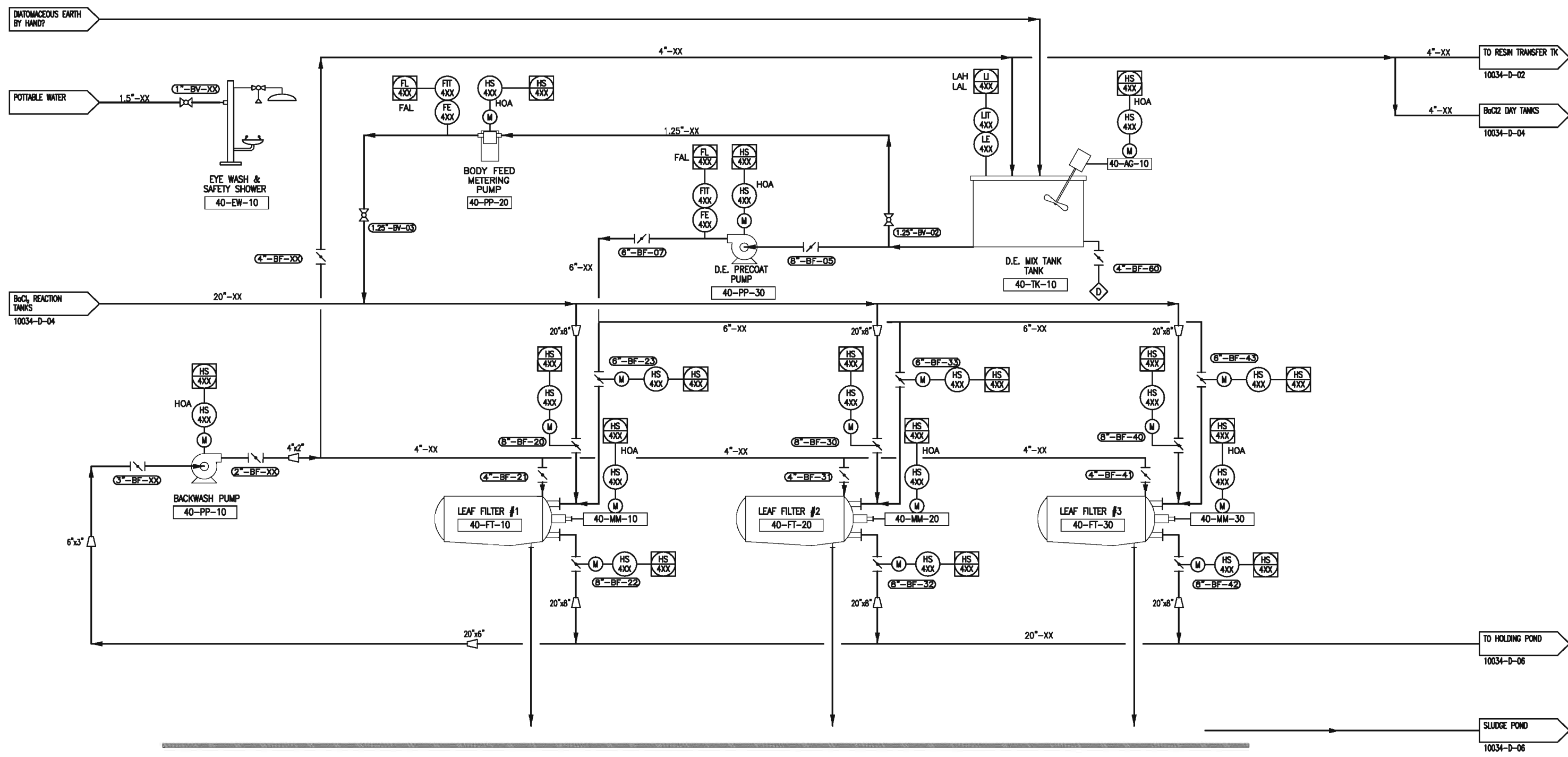
LEGEND:	
	HAND SWITCH
	MOTOR
	FLOW METER
	ALTERNATIVE FLOW
	ELECTRICAL SIGNAL

DRAWING REVIEW	
<input type="checkbox"/>	Reviewed: No Exceptions Noted
<input type="checkbox"/>	Reviewed: Exceptions Noted
<input type="checkbox"/>	Reviewed: Revise & Resubmit
NAME _____	DATE _____

WORK IN  
PROGRESS  
NOT RELEASED  
NOT FOR REFERENCE

DRAWING NO.	DRAWING TITLE	CAD-OP	LANDERSON	08-12-10	DATE/TIME LAST MODIFIED
10034-D-04	BaCl2 REACTION TANKS P & ID 8000 GPM WTP	CKD.	R.SMITH		090110.1125
		P.M.			DRAWING NO.
		CLIENT			10034-D-04
		SCALE:	( )		REV. A

A CLIENT REVIEW			
NO	REVISIONS	BY/APP	DATE
 Roca Honda Resources LLC STRATHMORE MINERALS CORP <b>LYNTEK</b> INCORPORATED			



CONTAINMENT PAD & SLOPED TROUGH

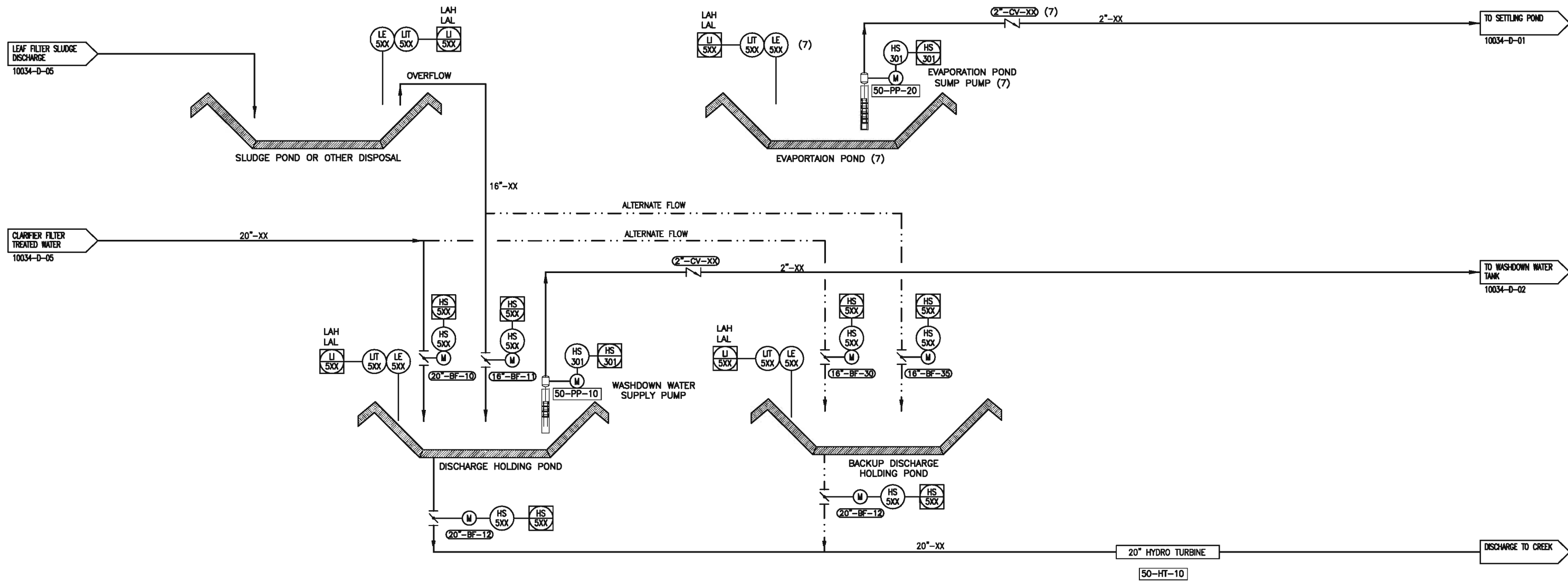
LEGEND:	
	HAND SWITCH
	MOTOR
	FLOW METER
	ALTERNATIVE FLOW
	ELECTRICAL SIGNAL

DRAWING REVIEW	
<input type="checkbox"/>	Reviewed: No Exceptions Noted
<input type="checkbox"/>	Reviewed: Exceptions Noted
<input type="checkbox"/>	Reviewed: Revise & Resubmit
NAME _____	DATE _____

WORK IN PROGRESS  
NOT RELEASED  
NOT FOR REFERENCE

DRAWING NO.	DRAWING TITLE
	REFERENCE DRAWINGS
THIS DRAWING WAS PREPARED BY LYNTEK, ALL OF THE INFORMATION CONTAINED THEREIN IS THE PROPERTY OF LYNTEK AND NO REPRODUCTION CAN BE MADE WITHOUT THE PROPER WRITTEN AUTHORIZATION OF LYNTEK.	

A	CLIENT REVIEW	NO	REVISIONS	BY	APP	DATE
		Roca Honda Resources LLC STRATHMORE MINERALS CORP				
LEAF FILTER AREA P & ID 8000 GPM WTP						
CAD-OP	LANDERSON	08-12-10	DATE/TIME LAST MODIFIED			
CKD.			090110.1130			
P.M.	R.SMITH		DRAWING NO.		REV.	
CLIENT			10034-D-05		A	
SCALE:	( )					



LEGEND:	
	HAND SWITCH
	MOTOR
	FLOW METER
	ALTERNATIVE FLOW
	ELECTRICAL SIGNAL

DRAWING REVIEW	
<input type="checkbox"/>	Reviewed: No Exceptions Noted
<input type="checkbox"/>	Reviewed: Exceptions Noted
<input type="checkbox"/>	Reviewed: Revise & Resubmit
NAME _____	DATE _____

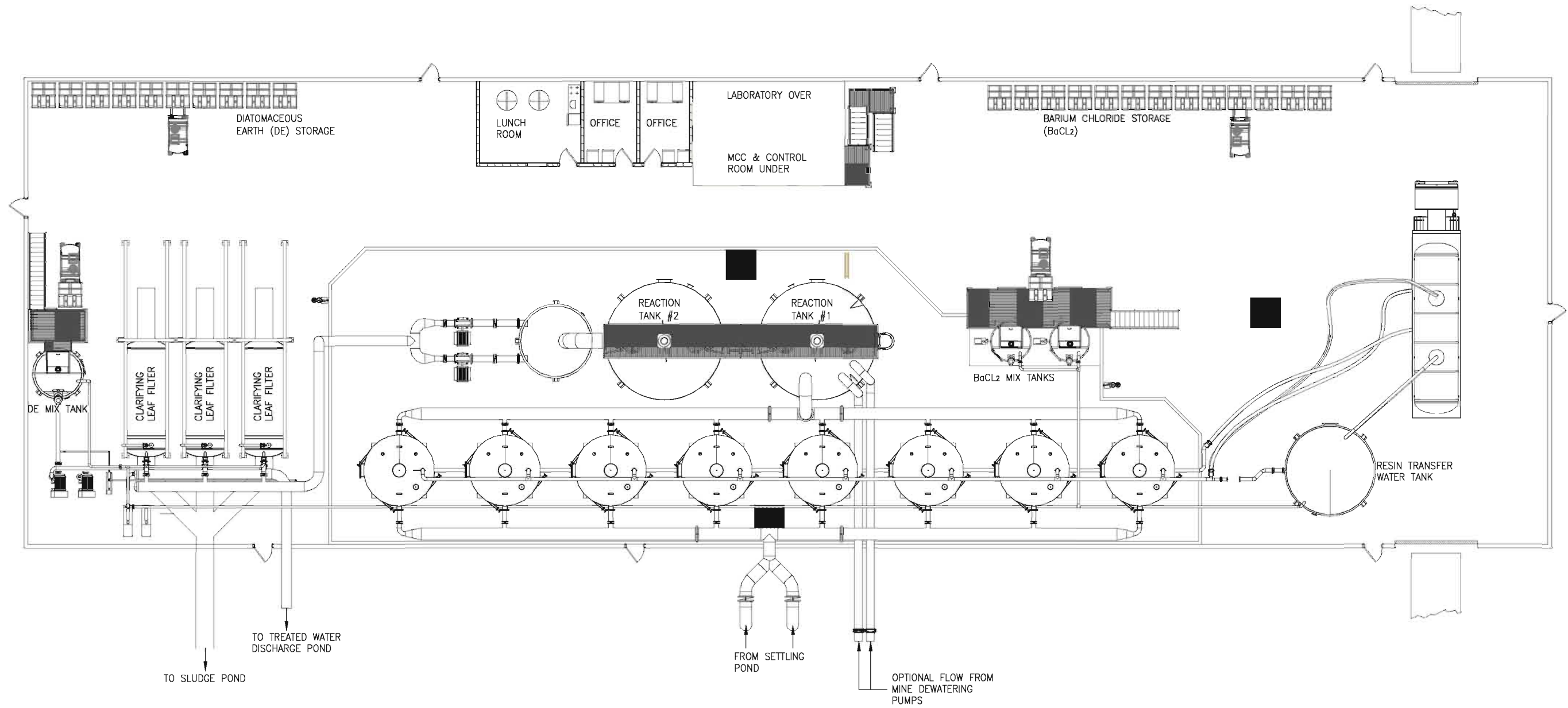
**WORK IN PROGRESS**  
 NOT RELEASED  
 NOT FOR REFERENCE

DRAWING NO.	DRAWING TITLE		
REFERENCE DRAWINGS			
CAD-OP	LANDERSON	08-12-10	DATE/TIME LAST MODIFIED
CKD.			090110.1050
P.M.	R.SMITH		DRAWING NO.
CLIENT			10034-D-06
SCALE:	( )		REV. B

A	CLIENT REVIEW	NO	REVISIONS	BY	APP	DATE
	Roca Honda Resources LLC STRATHMORE MINERALS CORP					
	SLUDGE & DISCHARGE PONDS P & ID 8000 GPM WTP					
	<b>LYNTEK</b> INCORPORATED					



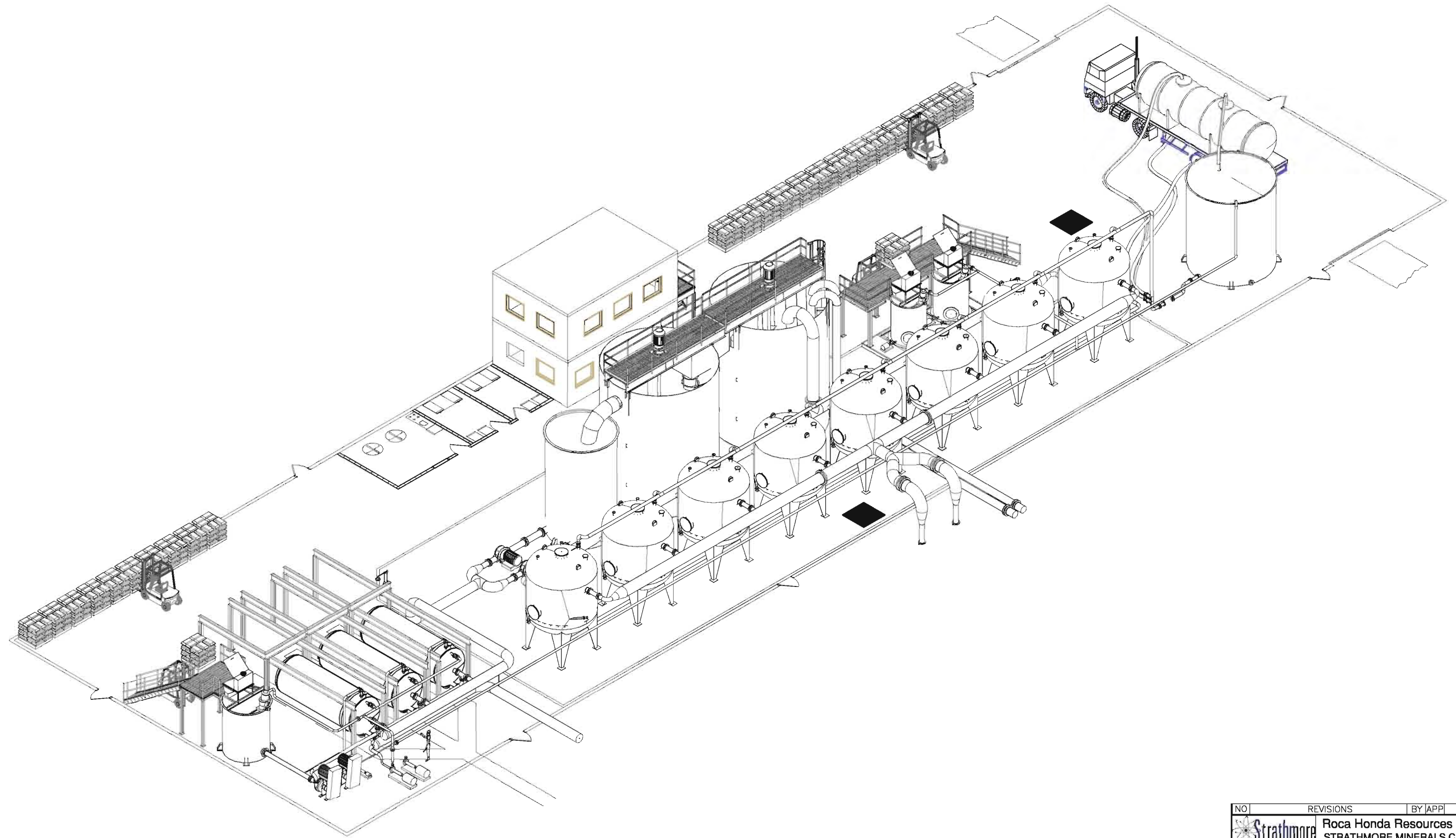
## **A.3a Plant General Arrangement**



NO	REVISIONS	BY	APP	DATE
		<b>Roca Honda Resources LLC</b> <b>STRATHMORE MINERALS CORP</b>		
<b>WATER TREATMENT PLANT</b> <b>GENERAL ARRANGEMENT (PLAN)</b>				
DRAWING NO.		DRAWING TITLE		
REFERENCE DRAWINGS		CAD-OP	B BINGEMER	9-29-10
THIS DRAWING WAS PREPARED BY LYNTEK, ALL OF THE INFORMATION CONTAINED THEREIN IS THE PROPERTY OF LYNTEK AND NO REPRODUCTION CAN BE MADE WITHOUT THE PROPER WRITTEN AUTHORIZATION OF LYNTEK.		CKD.		DATE, TIME LAST MODIFIED
		P.M.	ROD SMITH	9-29-10
		CLIENT		DRAWING NO.
		SCALE:	(D) NONE	REV.
				<b>10034-G-01</b>
				<b>A</b>



## **A.3b Plant General Arrangement**

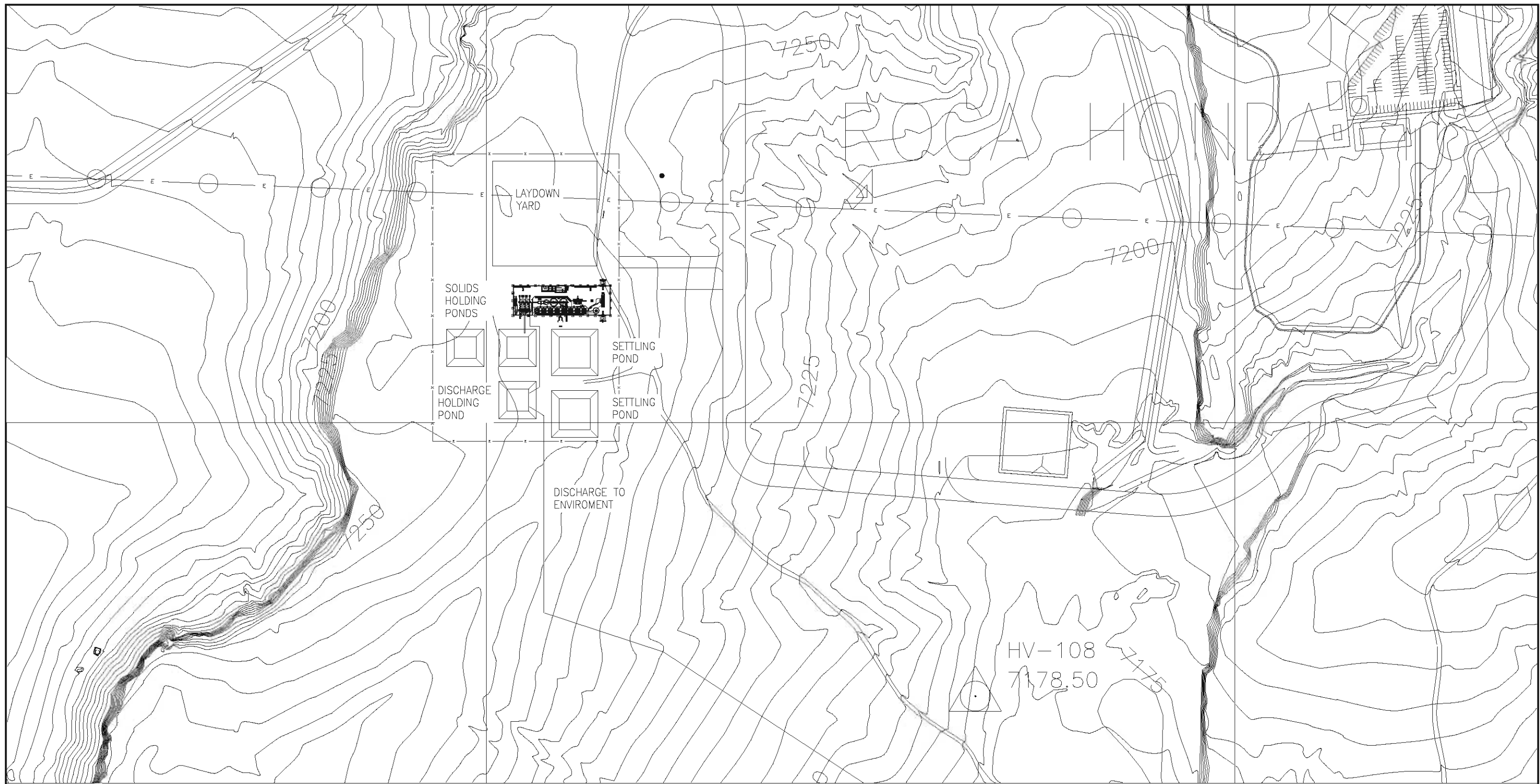


NO	REVISIONS	BY	APP	DATE
		<b>Roca Honda Resources LLC</b> <b>STRATHMORE MINERALS CORP</b>		
<b>WATER TREATMENT PLANT</b> <b>GENERAL ARRANGEMENT (3D VIEW)</b>				
				
DRAWING NO.		DRAWING TITLE		
REFERENCE DRAWINGS		CAD-OP	B BINGEMER	9-29-10
THIS DRAWING WAS PREPARED BY LYNTEK, ALL OF THE INFORMATION CONTAINED THEREIN IS THE PROPERTY OF LYNTEK AND NO REPRODUCTION CAN BE MADE WITHOUT THE PROPER WRITTEN AUTHORIZATION OF LYNTEK.		CKD.	P.M. ROD SMITH	9-29-10
		CLIENT		DATE.TIME LAST MODIFIED
		SCALE:	(D) NONE	092910.1605
			DRAWING NO.	REV.
			10034-G-02	B




## **A.4 Civil Drawings**





NO	REVISIONS	BY	APP	DATE

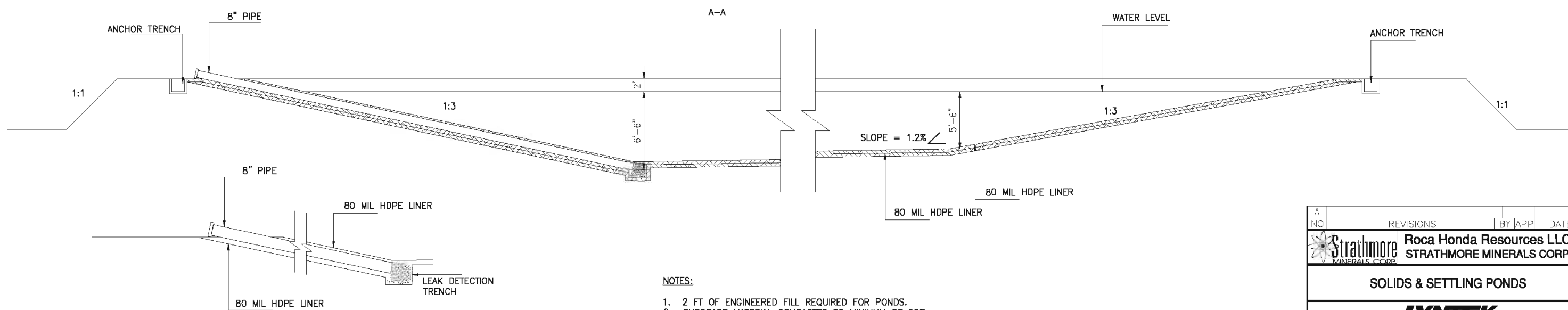
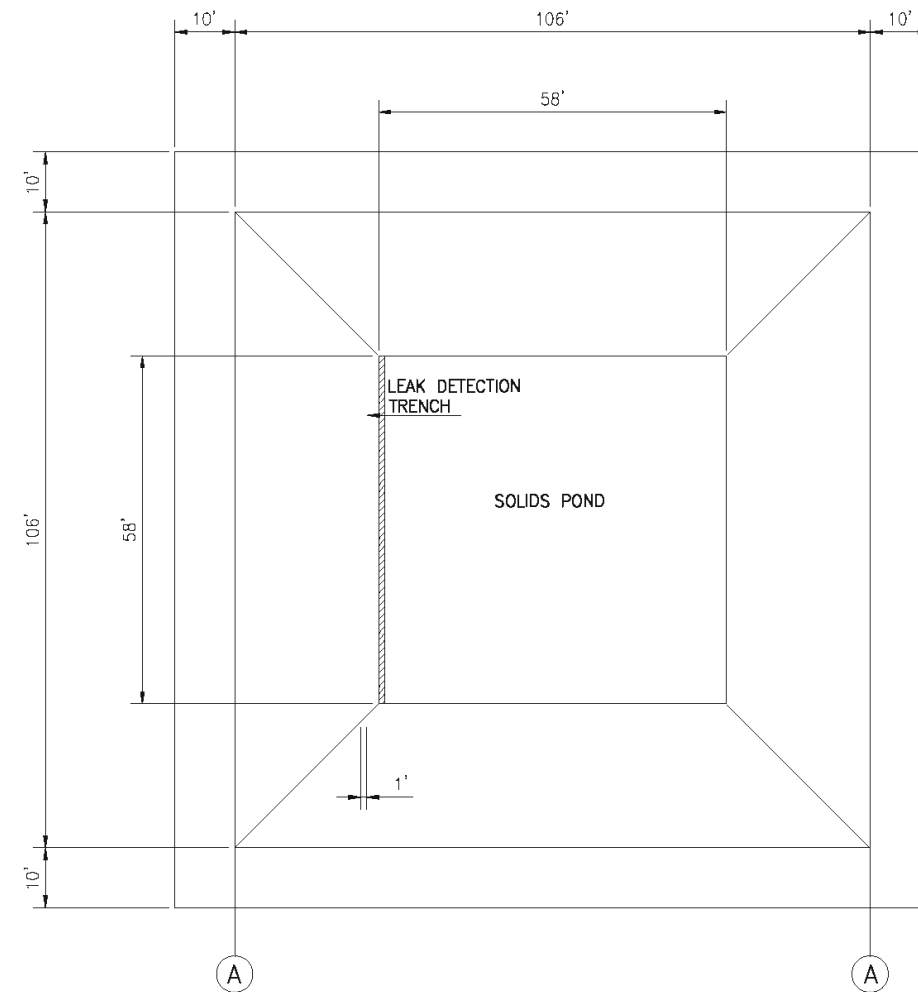
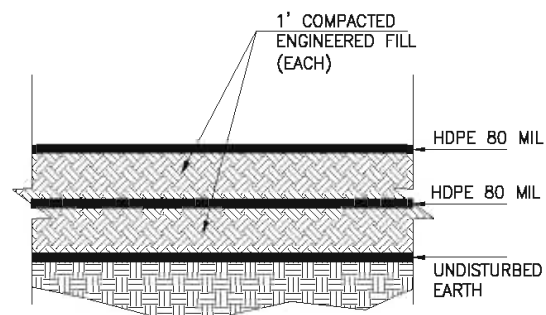
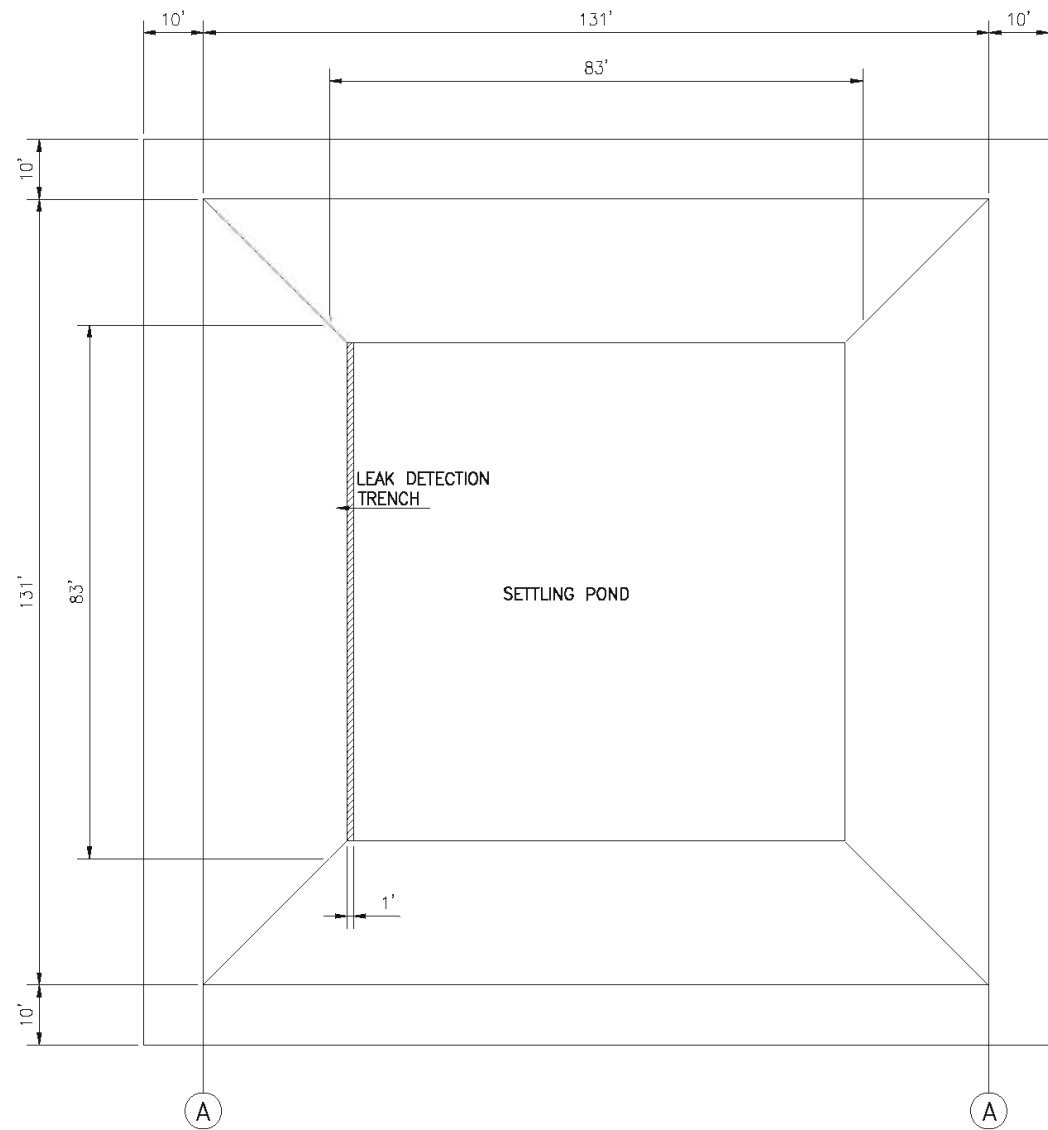

**Roca Honda Resources LLC**  
**STRATHMORE MINERALS CORP**

**SITE LAYOUT**

**LYNTEK**  
INCORPORATED

DRAWING NO.	DRAWING TITLE	CAD-OP	L. ANDERSON	9-10-10	DATE, TIME LAST MODIFIED
	REFERENCE DRAWINGS	CKD.			102810.1200
		P.M.			DRAWING NO.
		CLIENT			10034-C-01
		SCALE:	(D) 3/32" = 1'-0"		REV. B

THIS DRAWING WAS PREPARED BY LYNTEK, ALL OF THE INFORMATION CONTAINED THEREIN IS THE PROPERTY OF LYNTEK AND NO REPRODUCTION CAN BE MADE WITHOUT THE PROPER WRITTEN AUTHORIZATION OF LYNTEK.

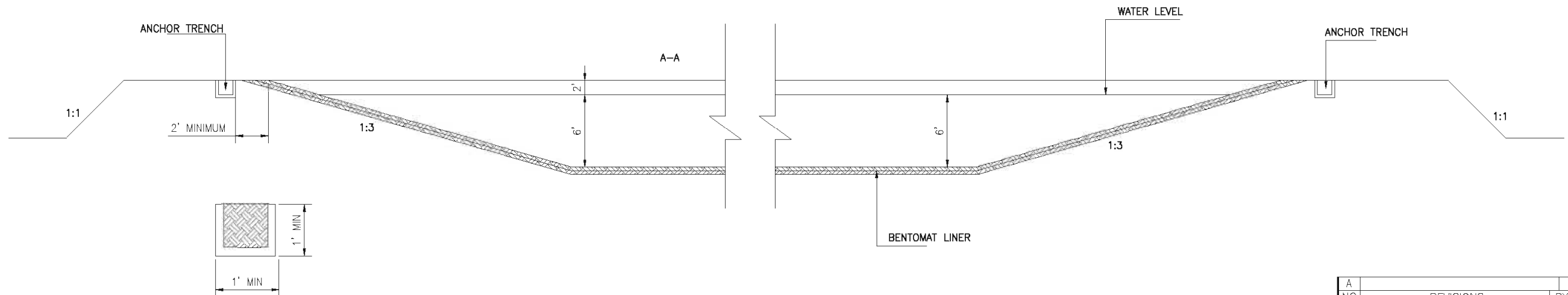
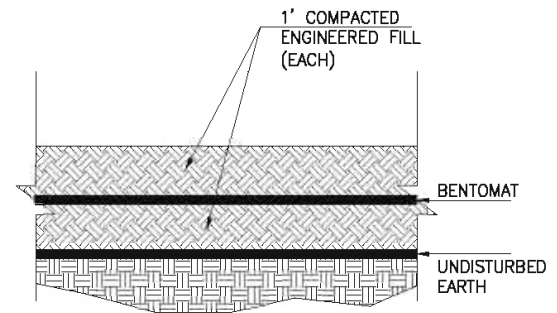
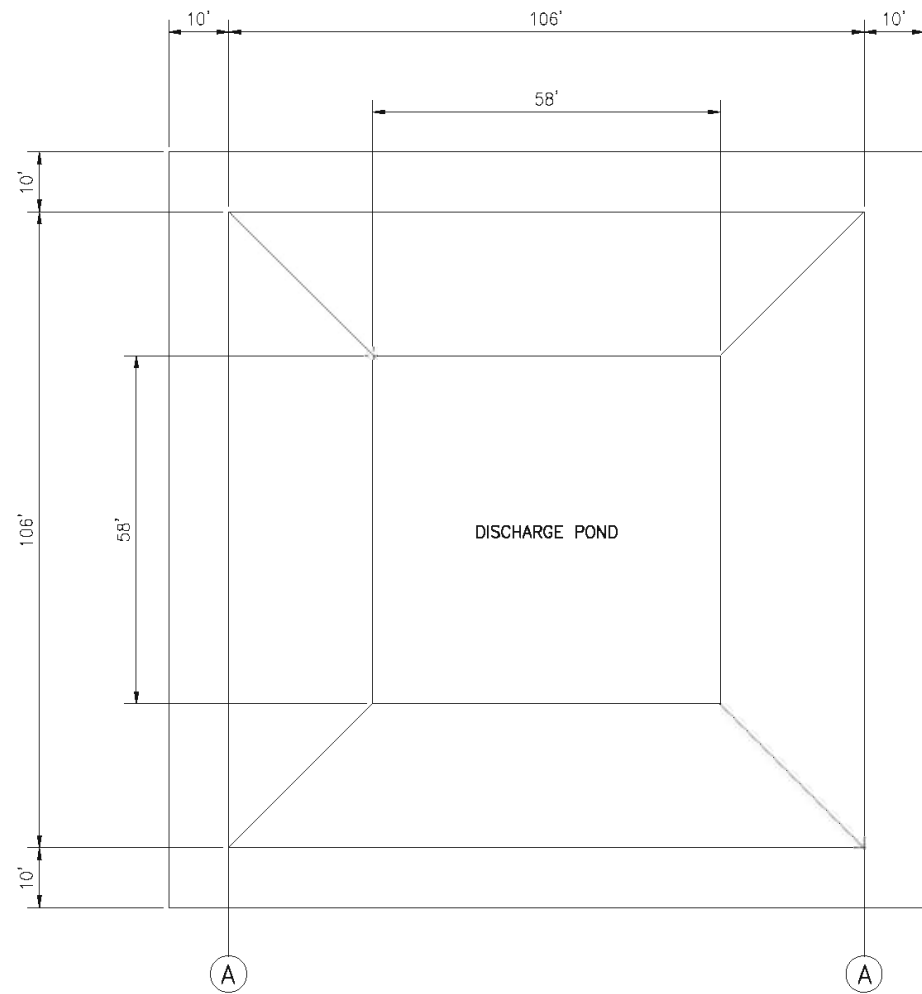


**NOTES:**

1. 2 FT OF ENGINEERED FILL REQUIRED FOR PONDS.
2. SUBGRADE MATERIAL COMPACTED TO MINIMUM OF 90% OF STANDARD PROCTOR DENSITY.

A	NO	REVISIONS	BY	APP	DATE
		<b>Roca Honda Resources LLC</b> <b>STRATHMORE MINERALS CORP</b>			
<b>SOLIDS &amp; SETTLING PONDS</b>					
DRAWING NO.		DRAWING TITLE			
CAD-OP		C.SPICER	10/14/10	DATE/TIME LAST MODIFIED	
CKD.				102210.0700	
P.M.				DRAWING NO.	
CLIENT				REV.	
SCALE:		(D) AS NOTED		10034-C-10	
				A	

THIS DRAWING WAS PREPARED BY LYNTEK, ALL OF THE INFORMATION CONTAINED THEREIN IS THE PROPERTY OF LYNTEK AND NO REPRODUCTION CAN BE MADE WITHOUT THE PROPER WRITTEN AUTHORIZATION OF LYNTEK.



**NOTES:**

1. 2 FT OF ENGINEERED FILL REQUIRED FOR PONDS.
2. SUBGRADE COMPACTED TO MINIMUM OF 90% OF STANDARD PROCTOR DENSITY.

A	NO	REVISIONS	BY	APP	DATE
		<b>Roca Honda Resources LLC</b> <b>STRATHMORE MINERALS CORP</b>			
<b>DISCHARGE POND</b>					
DRAWING NO.		DRAWING TITLE			
REFERENCE DRAWINGS		CAD-OP	C.SPICER	10/22/10	DATE/TIME LAST MODIFIED
THIS DRAWING WAS PREPARED BY LYNTEK, ALL OF THE INFORMATION CONTAINED THEREIN IS THE PROPERTY OF LYNTEK AND NO REPRODUCTION CAN BE MADE WITHOUT THE PROPER WRITTEN AUTHORIZATION OF LYNTEK.		CKD.			102210.0700
		P.M.			DRAWING NO.
		CLIENT			REV.
		SCALE:	(D) AS NOTED		<b>10034-C-11</b>
					<b>A</b>



## **A.5 Electrical**

POWER SYSTEM SYMBOLS		
SYMBOLS	DESCRIPTION	ABBREVIATIONS
	LOW VOLTAGE CIRCUIT BREAKER	C/B
	MEDIUM/HIGH VOLTAGE CIRCUIT BREAKER	
	FUSE	
	ENCLOSED MOTOR STARTER	
	ENCLOSED COMBINATION MOTOR STARTER	
	ENCLOSED DISCONNECT SWITCH	
	ELECTRIC MOTOR	
	FUSED DISCONNECT SWITCH	
	ELECTRIC PANELBOARD	
	CAPACITOR	CAP
	MOTOR OPERATOR	
	BATTERY LIMIT	
	MOTOR STARTER OR RELAY CONTACTS (DIGIT INDICATES NEMA SIZE)	
	MOTOR STARTER WITH ELECTRONIC OVERLOAD (DIGIT INDICATES NEMA SIZE)	
	VARIABLE FREQUENCY DRIVE	VFD
	MOTOR STARTER REDUCED VOLTAGE, SOFT START, (DIGIT INDICATES NEMA SIZE)	
	SINGLE PHASE TRANSFORMER	
	THREE PHASE TRANSFORMER	
	POTENTIAL TRANSFORMER	PT
	CURRENT TRANSFORMER	CT
	POWER QUALITY METER	PQM
	SURGE SUPPRESSOR	SPD
	RECTIFIER	
	CONTACTOR WITH ELECTRONIC CONTROL	

HAND SWITCH STATIONS:	
	HAND / OFF / AUTO
	ON / OFF
	OPEN/CLOSE
<b>SWITCHES:</b> CONTRACTOR SUPPLIED TO COMPLY WITH LOCAL ELECTRICAL STANDARDS	
	TOGGLE SWITCH 20A, 1P, 125V
	TOGGLE SWITCH 20A, 1P, 3-WAY, 125V
	TOGGLE SWITCH 20A, 1P, 4-WAY, 125V
<b>GENERAL OUTLETS:</b> CONTRACTOR SUPPLIED TO COMPLY WITH LOCAL ELECTRICAL STANDARDS	
	DUPLEX CONVENIENCE OUTLET, NUMBER INDICATES CIRCUIT IN LIGHTING PANEL
	WEATHERPROOF DUPLEX CONVENIENCE OUTLET
	3 PHASE EQUIPMENT OUTLET
	3 PHASE WEATHERPROOF EQUIPMENT OUTLET
	480 V., 3 $\phi$ , 4W POWER RECEPTACLE, WELDING OR OTHER
	SPECIAL POWER RECEPTACLE, 208V, 3W FOR HEAT TRACE OR A/C UNITS
	JUNCTION BOX
LIGHT FIXTURES SYMBOLS	
	HIGH PRESSURE SODIUM (HPS)
	FLUORESCENT LIGHTING FIXTURE 1'x4'
	FLUORESCENT LIGHTING FIXTURE 1'x4', WITH EMERGENCY BATTERY PACK
	FLUORESCENT LIGHTING FIXTURE 2'x4'
	FLUORESCENT LIGHTING FIXTURE 2'x4', WITH EMERGENCY BATTERY PACK
	EXIT LIGHT W/ BATTERY PACK
	EMERGENCY FIXTURE, BATTERY BACK-UP
	FLOODLIGHT WITH METAL HALIDE LAMP
	METAL HALIDE WALLPACK
ANCILLARY DEVICES	
	POWER SUPPLY 24 V
	WIRELESS PLC LINK

LIGHTNING PROTECTION AND GROUNDING SYMBOLS	
	LIGHTNING PROTECTION AIR TERMINAL
	CONNECTION TO GROUNDING SYSTEM
	GROUND ROD
	GROUND ROD IN TEST WELL
	EXOTHERMIC WELD GROUND CONNECTIONS
	CONNECTION TO EQUIPMENT AND FLOOR PENETRATION
	ELECTRIC WIRING RUNNING EXPOSED
	ELECTRIC WIRING RUNNING CONCEALED
	LIGHTNING PROTECTION CABLE
	GROUNDING CONDUCTOR CABLE
	HOME RUN WIRING (TICK MARKS INDICATE NUMBER OF CONDUCTORS, LESS GROUNDING CONDUCTOR)
POWER SUBSTATION SYMBOLS	
	MOTOR OPERATED SWITCH
	RELAY FUNCTION (NUMBER INDICATES IEEE DEVICE)
	AIR GAP SURGE ARRESTOR
	METAL OXIDE SURGE ARRESTOR
	WYE (STAR) CONNECTED TRANSFORMER WITH SOLIDLY GROUNDED NEUTRAL
	DELTA CONNECTOR TRANSFORMER
	WYE (STAR) CONNECTED TRANSFORMER WITH RESISTANCE GROUNDED NEUTRAL
SCHEMATIC LEGEND	
	NORMALLY OPEN CONTACT
	NORMALLY CLOSED CONTACT
	MOMENTARY START BUTTON
	MOMENTARY STOP BUTTON
	XOO HAND-OFF-AUTO SELECTOR SWITCH
	OxO
	OOX
LIMIT SWITCH	
	- NORMALLY OPEN
	- NORMALLY CLOSED
	- HELD CLOSED
	- HELD OPEN
	TIMER CONTACTS
	ARROW INDICATES DIRECTION OF TIMED CONTACT. T.D.O. OR T.D.C.
	PRESSURE SWITCH
	TEMPERATURE SWITCH
	LIQUID LEVEL SWITCH
	FLOW SWITCH
	SOLENOID VALVE OPERATOR

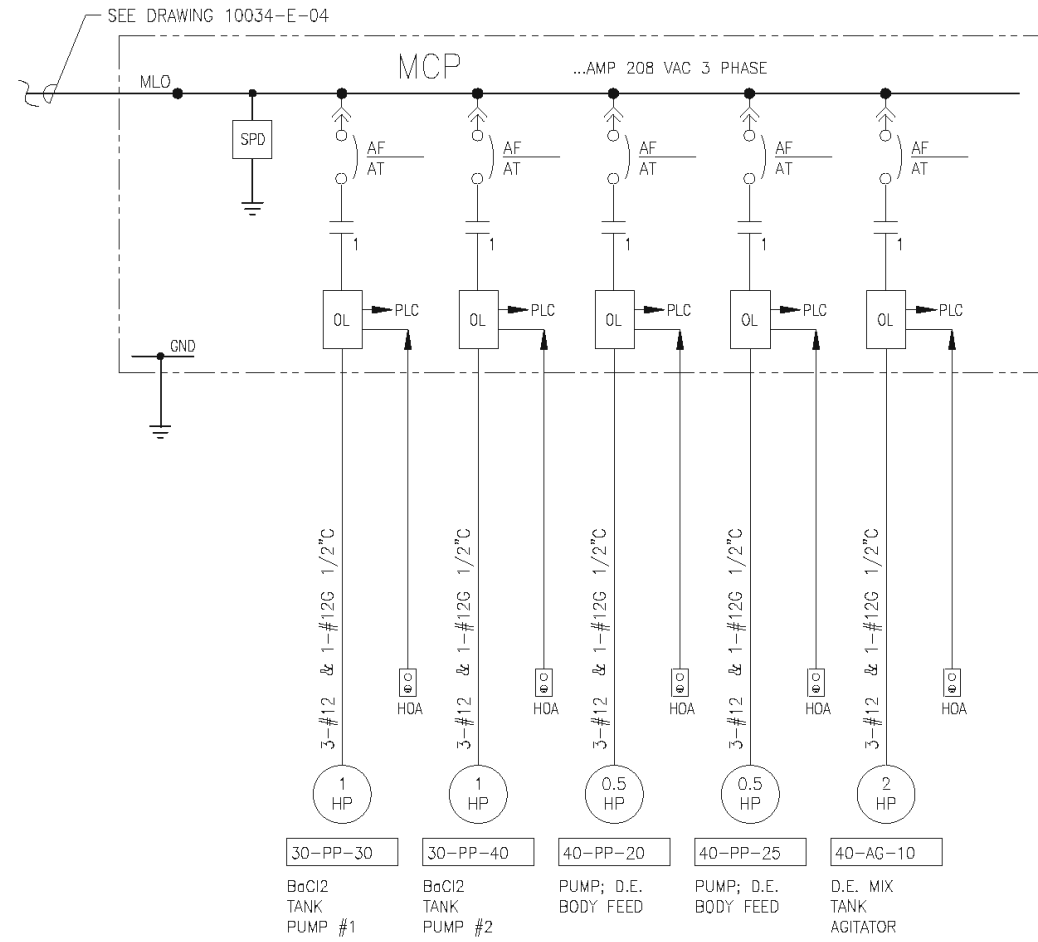
SERVICE ABBREVIATIONS	
A	AMPERE
A/S	AMPEREMETER SWITCH
AFF	ABOVE FINISHED FLOOR
AFG	ABOVE FINISHED GRADE
BFF	BELOW FINISHED FLOOR
BFG	BELOW FINISHED GRADE
C	CONDUIT
C/BKR OR C/B	CIRCUIT BREAKER
CKT	CIRCUIT
CT	CURRENT TRANSFORMER
DWG	DRAWING
DCS	DISTRIBUTED CONTROL SYSTEM
FC	FOOT CANDLES
G OR GND	GROUND
GFCI	GROUND FAULT CIRCUIT INTERRUPTER
GFP	GROUND FAULT PROTECTOR
H-O-A	HAND-OFF AUTOMATIC
HZ	HERTZ ( FREQUENCY)
JES	JOG EMERGENCY STOP
KA	KILOAMPERE
KVA	KILOVOLT-AMPERE
KVAR	KILOVOLT-AMPERE REACTIVE
KW	KILOWATT
KWH	KILOWATT-HOUR
LTG	LIGHTING
MCC	MOTOR CONTROL CENTER
MCP	MOTOR CIRCUIT PROTECTOR
M/S	MOTOR STARTER
MDP	MAIN DISTRIBUTION PANEL
MLO	MAIN LUG ONLY
N.C.	NORMALLY CLOSED
N.O	NORMALLY OPEN
OL	OVERLOAD
$\phi$	PHASE
PNL	PANEL
PT	POTENTIAL TRANSFORMER
PQM	POWER QUALITY METER
PVC	POLYVINYL CHLORIDE ( CONDUIT )
RGS	RIGID GALVANIZED STEEL CONDUIT
RMS SYM	ROOT MEANS SQUARE SYMMETRICAL
RVSS	REDUCED VOLTAGE, SOFT START
SCADA	SUPERVISORY CONTROL & DATA ACQUISITION
SPD	SURGE PROTECTION DEVICE
SPDT	SINGLE POLE DOUBLE THROW (CONTACT)
SPST	SINGLE POLE SINGLE THROW (CONTACT)
TRA	TRANSFORMER
TW	TEST WELL
TYP	TYPICAL
UPS	UNINTERRUPTIBLE POWER SUPPLY
VFD	VOLTMETER SWITCH
V/S	VARIABLE FREQUENCY DRIVE
WP	WEATHERPROOF

**WORK IN PROGRESS**  
NOT RELEASED FOR REFERENCE ONLY

DRAWING NO.	DRAWING TITLE
REFERENCE DRAWINGS	
THIS DRAWING WAS PREPARED BY LYNTEK, ALL OF THE INFORMATION CONTAINED THEREIN IS THE PROPERTY OF LYNTEK AND NO REPRODUCTION CAN BE MADE WITHOUT THE PROPER WRITTEN AUTHORIZATION OF LYNTEK.	

NO.	REVISIONS	BY	APP.	DATE
		<b>Roca Honda Resources LLC</b> <b>STRATHMORE MINERALS CORP</b>		
ELECTRICAL SYMBOLS				
<b>LYNTEK INCORPORATED</b>				
CAD-OP	F.SWALDINO	09-21-10	DATE/TIME LAST MODIFIED	
CKD.			092410.1400	
P.M.			DRAWING NO.	REV.
CLIENT			<b>10034-X-03</b>	A
SCALE:	(D) N.T.S.			





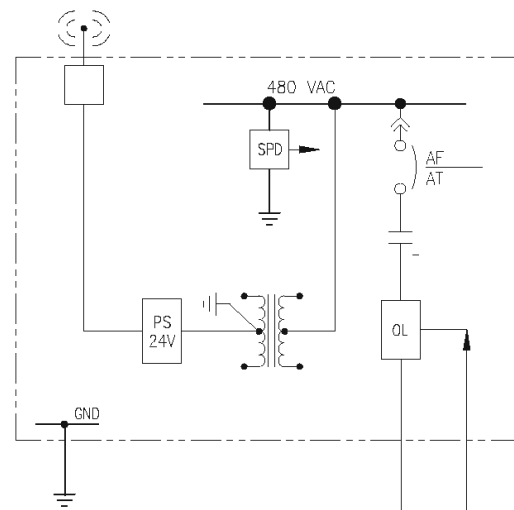
**WORK IN PROGRESS**  
NOT RELEASED FOR REFERENCE ONLY

DRAWING NO. \_\_\_\_\_ DRAWING TITLE \_\_\_\_\_

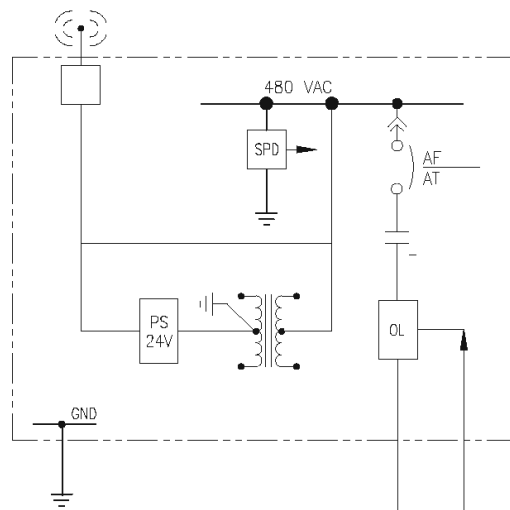
REFERENCE DRAWINGS \_\_\_\_\_

THIS DRAWING WAS PREPARED BY LYNTEK, ALL OF THE INFORMATION CONTAINED THEREIN IS THE PROPERTY OF LYNTEK AND NO REPRODUCTION CAN BE MADE WITHOUT THE PROPER WRITTEN AUTHORIZATION OF LYNTEK.

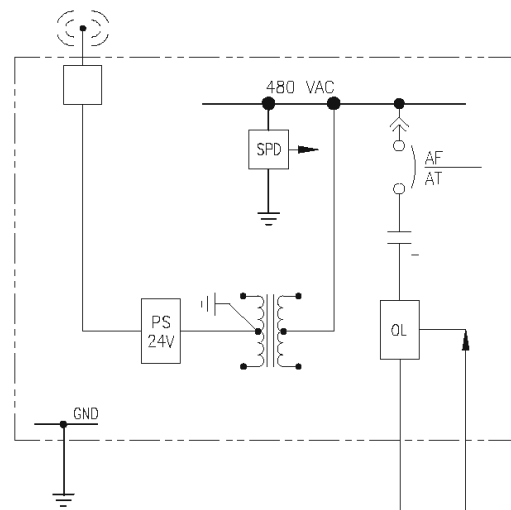
NO.	REVISIONS	BY	APP.	DATE
		<b>Roca Honda Resources LLC</b> <b>STRATHMORE MINERALS CORP</b>		
<b>MCP ONE-LINE DIAGRAM</b>				
<b>LYNTEK</b> INCORPORATED				
CAD-OP	F.SMALDINO	09-21-10	DATE/TIME LAST MODIFIED	
CKD.			100610.1400	
P.M.			DRAWING NO.	REV.
CLIENT			<b>10034-E-05</b>	<b>A</b>
SCALE:	(D) N.T.S.			



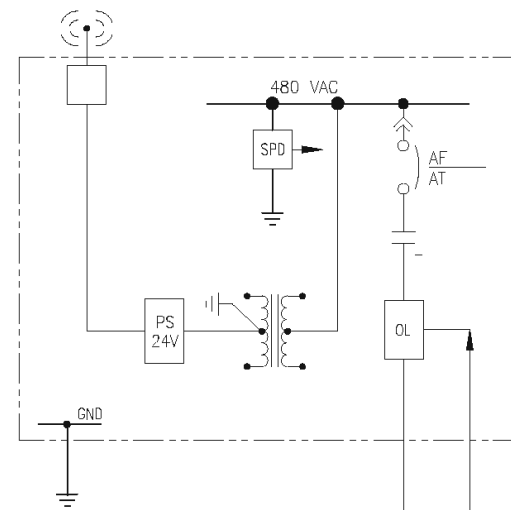
50-PP-20  
EVAPORATION  
POND SUMP  
PUMP #2



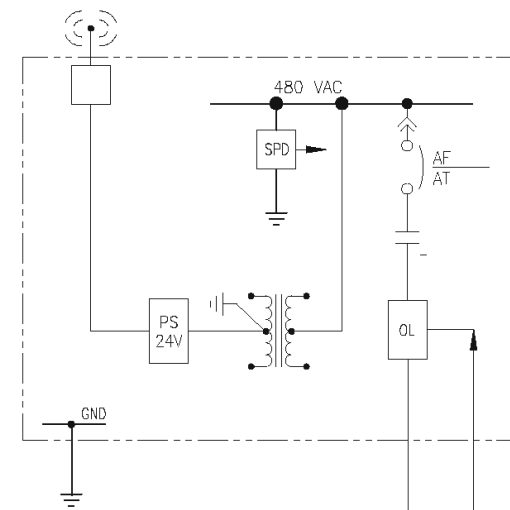
50-PP-30  
EVAPORATION  
POND SUMP  
PUMP #3



50-PP-40  
EVAPORATION  
POND SUMP  
PUMP #4



50-PP-50  
EVAPORATION  
POND SUMP  
PUMP #5



50-PP-60  
EVAPORATION  
POND SUMP  
PUMP #6

WORK IN  
PROGRESS  
NOT RELEASED  
FOR REFERENCE ONLY

DRAWING NO.	DRAWING TITLE
	REFERENCE DRAWINGS
THIS DRAWING WAS PREPARED BY LYNTEK, ALL OF THE INFORMATION CONTAINED THEREIN IS THE PROPERTY OF LYNTEK AND NO REPRODUCTION CAN BE MADE WITHOUT THE PROPER WRITTEN AUTHORIZATION OF LYNTEK.	

NO	REVISIONS	BY	APP	DATE
 <b>Strathmore</b> MINERALS CORP		<b>Roca Honda Resources LLC</b> STRATHMORE MINERALS CORP		
<b>EVAPORATION POND PUMPS</b>				
<b>LYNTEK</b> INCORPORATED				
CAD-OP	F.SWALDINO	09-21-10	DATE/TIME LAST MODIFIED	
CKD.			100610.1310	
P.M.			DRAWING NO.	REV.
CLIENT			<b>10034-E-06</b>	<b>A</b>
SCALE:	(D) N.T.S.			