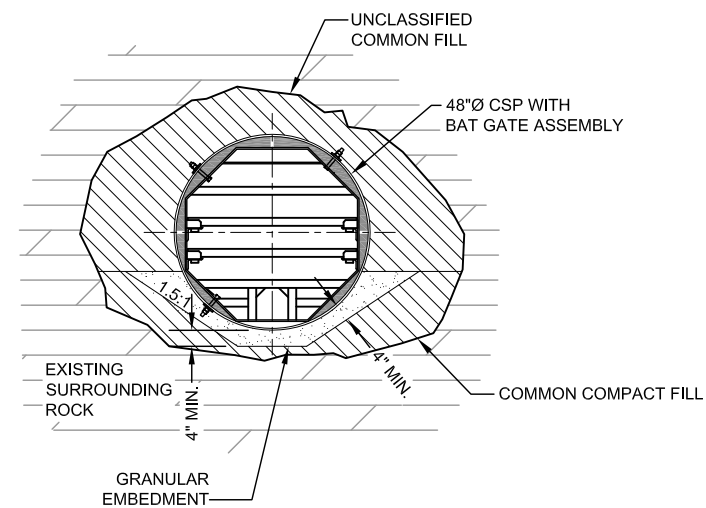


GENERAL NOTES:

1. THE SHAPE AND DIMENSIONS SHOWN AT THE EXISTING ADIT OPENING ARE APPROXIMATE. FIELD VERIFY ALL DIMENSIONS BEFORE FABRICATION.
2. GRANULAR EMBEDMENT SHALL BE CRUSHED ROCK OR PEA GRAVEL WITH NOT LESS THAN 95% PASSING 3/4" AND NOT LESS THAN 90% RETAINED ON A #4. PLACE IN NOT MORE THAN 6" LAYERS AND COMPACT BY SLICING WITH A SHOVEL OR VIBRATING.
3. STEEL PLATES AND SHAPES FOR THE BAT GATE ASSEMBLY SHALL BE WEATHERING STEEL AS SPECIFIED. WELD ALL JOINTS. PLATES FOR BOLTS, BOLTS AND NUTS SHALL BE WEATHERING OR STAINLESS STEEL. DOUBLE-NUT ALL BOLTS. ROUND OR CHAMFER ALL EXPOSED EDGES AND CORNERS.
4. COMMON FILL IS UNCLASSIFIED; MINE WASTE MATERIAL IS ACCEPTABLE. MATERIAL WITHIN ONE FOOT OF THE CORRUGATED STEEL PIPE SHALL BE SMALLER THAN THREE INCHES. THOROUGHLY COMPACT ALL FILL MATERIAL BELOW AND WITHIN TWO FEET OF THE SIDES OF THE CSP TO MINIMIZE SETTLEMENT.
5. ROCK PLATING SHALL BE SOUND, DURABLE NATIVE ROCK AS LARGE AS PRACTICABLE AND NO SMALLER THAN 6" IN LEAST DIMENSION. PLACE ROCK PLATING AS SHOWN AND ACROSS FULL WIDTH OF ADIT OPENING. DO NOT BLOCK THE CSP OPENING.
6. GROUT SHALL BE CONSTRUCTION GRADE.
7. APPLY STAIN TO VISIBLE PORTIONS OF CSP (INSIDE AND OUTSIDE) WITH NATINA GALVANIZED METAL COLORANT (PROVIDED BY PROJECT MANAGER) FOR CAMOUFLAGE.
8. INSTALL SURVEY MARKER INTO GROUT OR ADJACENT COMPETENT ROCK AS DIRECTED BY THE PROJECT MANAGER.

CAUTION - THIS PROJECT REQUIRES CONSTRUCTION WORK IN, AROUND, AND OVER HAZARDOUS AND UNPROTECTED MINE SHAFTS, STOPS, ADITS, AND OTHER OPENINGS WHICH MAY BE OPEN TO THE SURFACE OR HIDDEN FROM VIEW BY TRASH, DEBRIS, OR THIN AND UNSTABLE LAYERS OF SURFACE MATERIALS OR ROCK. THE CONSTRUCTOR SHALL BE RESPONSIBLE FOR THOROUGHLY INVESTIGATING THE SITE CONDITIONS AND SCHEDULING EQUIPMENT, EQUIPMENT OPERATIONS, PERSONNEL AND SAFETY PROCEDURES TO PREVENT ACCIDENTS AND INJURIES.

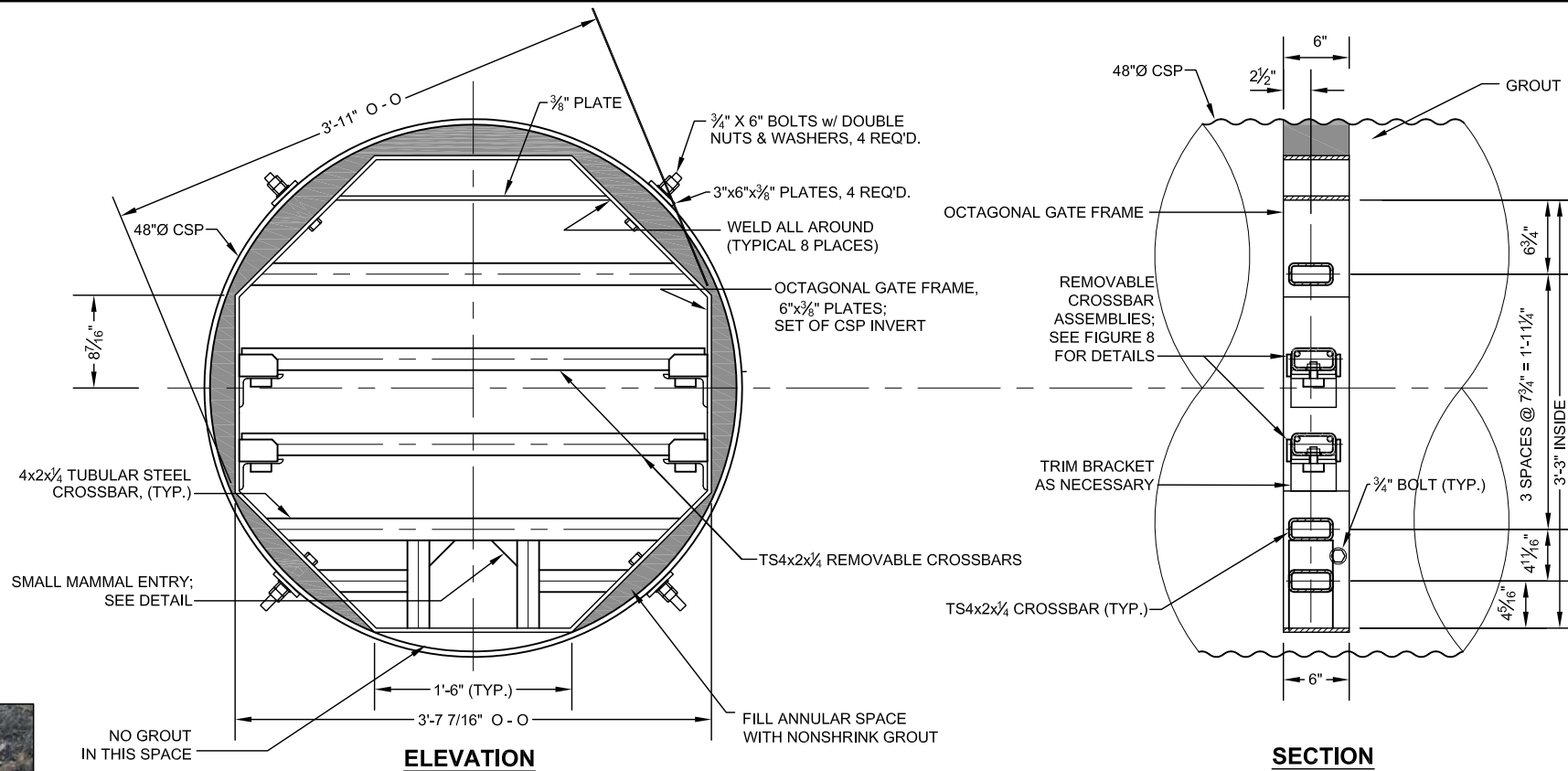


SECTION - CULVERT INSTALLATION

SCALE: 1/4" = 1'

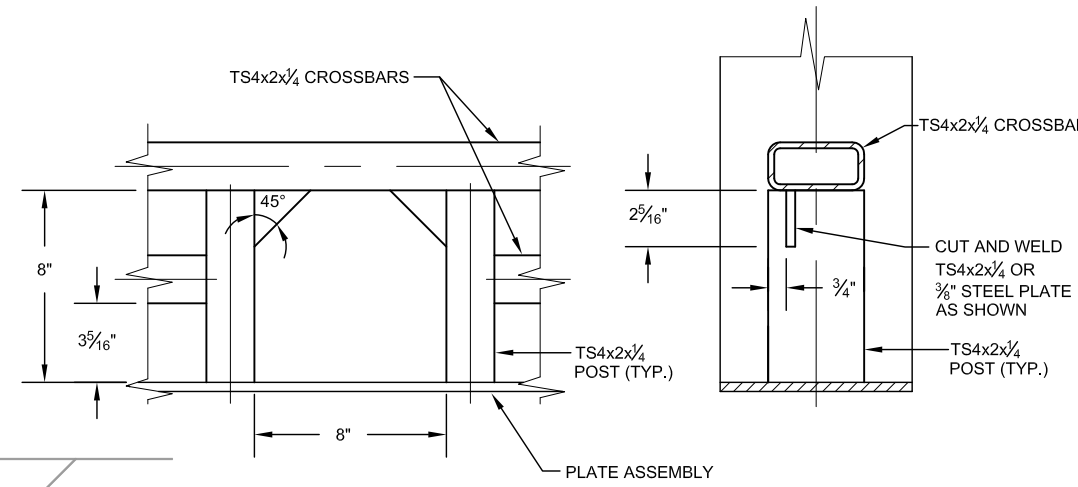


F55 ADIT



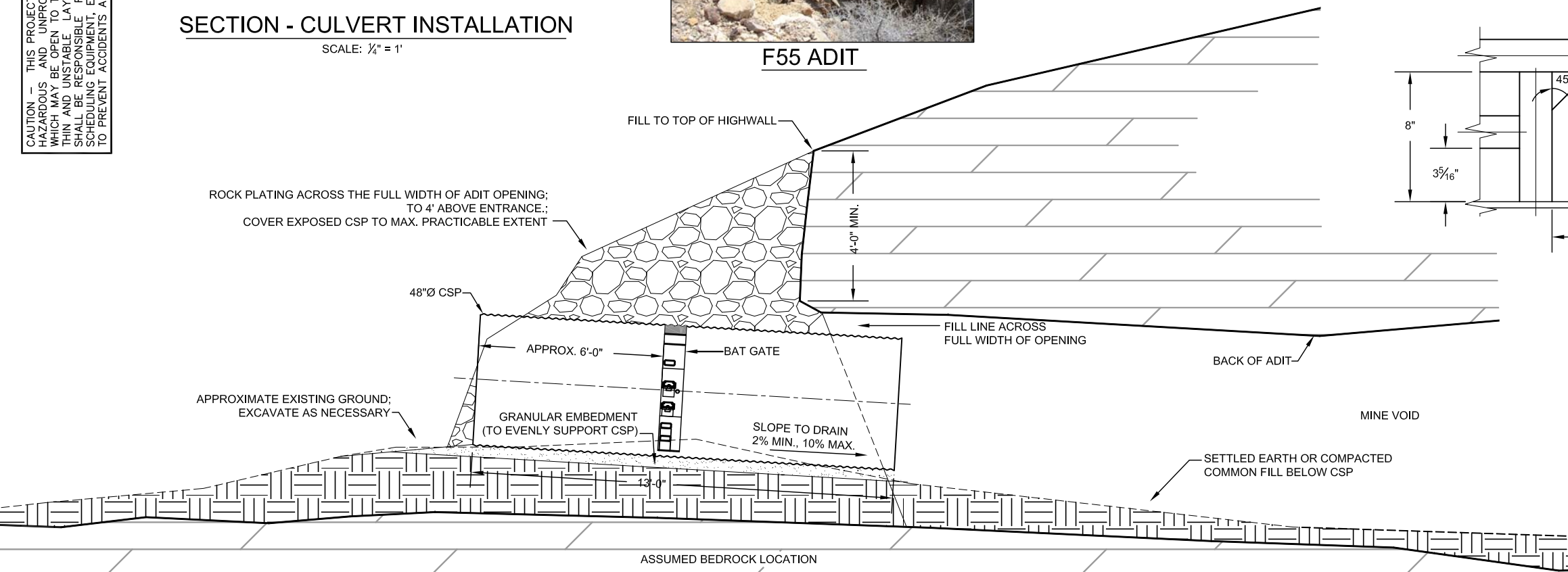
BAT GATE ASSEMBLY

SCALE: 3/4" = 1'



SMALL MAMMAL ENTRY DETAIL

SCALE: 1/2" = 1'



PROFILE - CULVERT INSTALLATION

SCALE: 1/4" = 1'

ABANDONED MINE LAND PROGRAM MINING AND MINERALS DIVISION NEW MEXICO ENERGY, MINERALS, AND NATURAL RESOURCES DEPARTMENT		
SCALE: AS SHOWN	F55	
DATE: 8/12/14	REVISED BY:	
CULVERT WITH BAT GATE		
FILE:	COOKES PEAK WEST MINE SAFEGUARD PROJECT-PH. II FIGURE: 3	