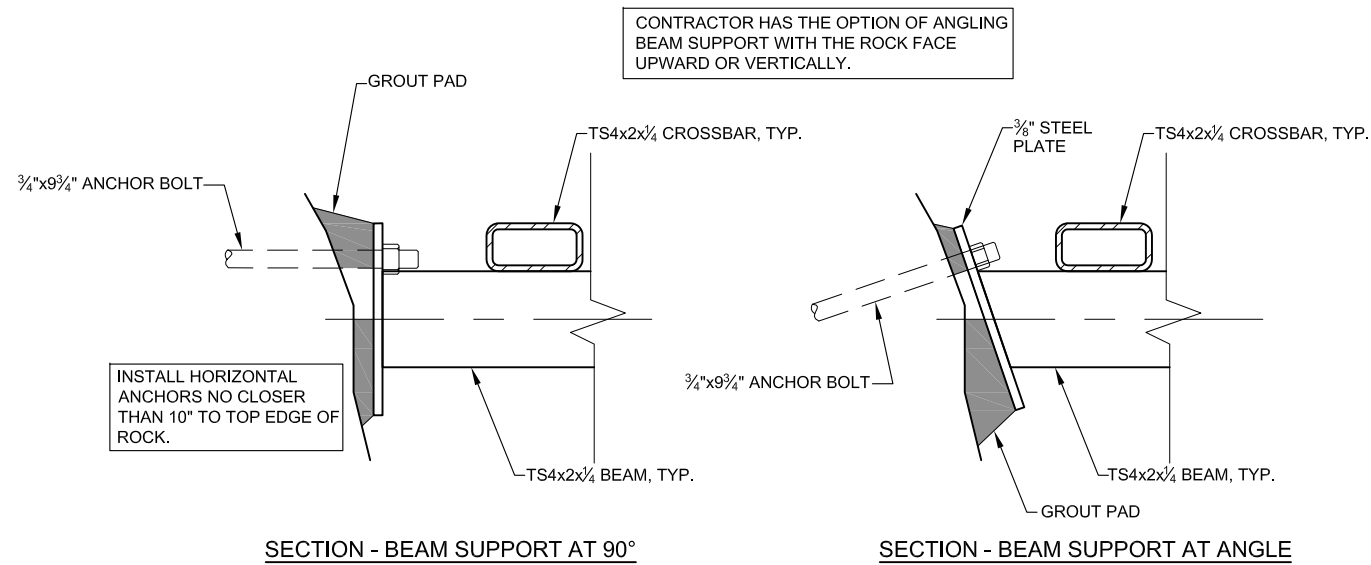


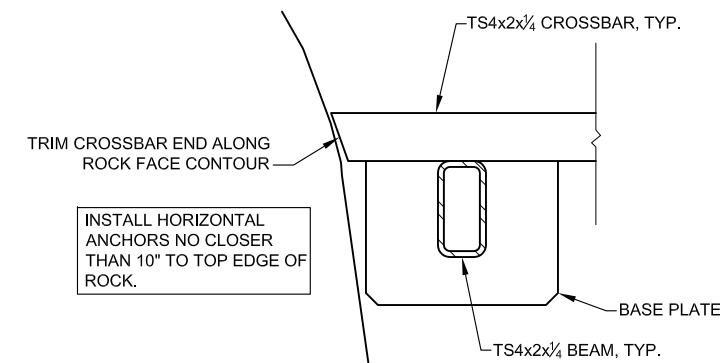
BEAM SUPPORT DETAIL

SCALE: 1 1/2" = 1'-0"



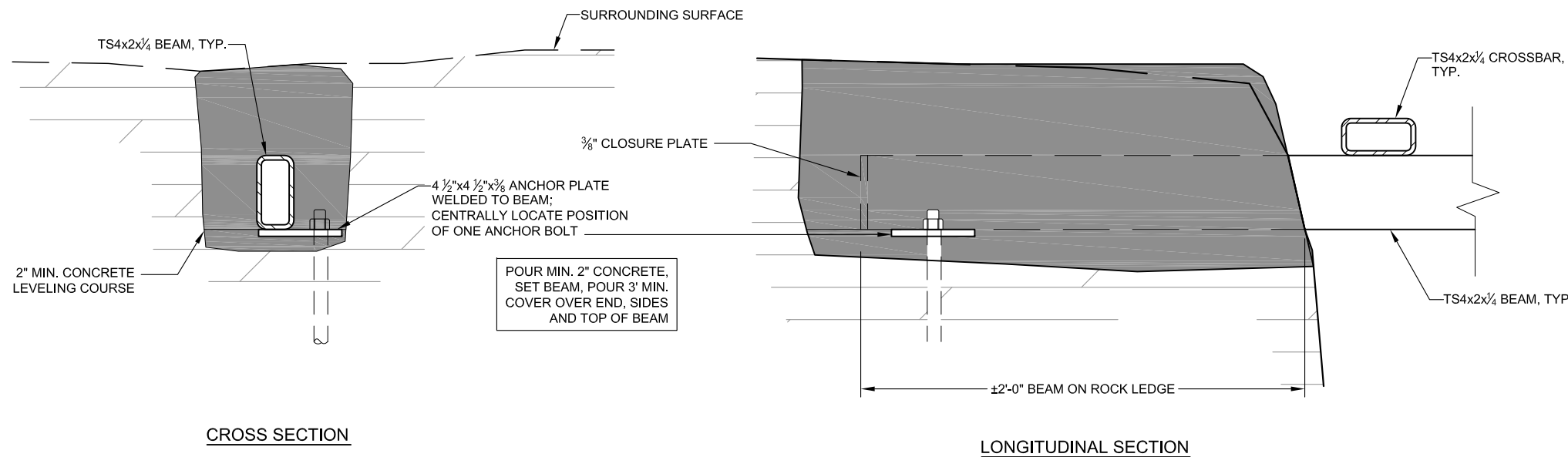
BEAM SUPPORT SIDE SECTION

SCALE: 1/2" = 1'-0"



BEAM-CROSSBAR SECTION VIEW

SCALE: 3/4" = 1'-0"



BEAM SEAT DETAILS

SCALE: 1/2" = 1'-0"

GENERAL NOTES:

1. POSITION CLOSURE AT THE TOP OF THE SHAFT AT A STABLE LOCATION AS DIRECTED BY THE PROJECT MANAGER. IF THERE IS POTENTIAL FOR ROCK ACCUMULATION FROM ABOVE, STRUCTURE SHOULD BE ANGLED DOWNHILL IF POSSIBLE TO ALLOW THE ROCKS TO SLIDE OFF.
2. MINIMIZE THE AMOUNT OF ROCK AND OTHER DEBRIS THAT FALL INTO THE MINE OPENINGS DURING CONSTRUCTION. PULL LOOSE MATERIAL UP AND AWAY FROM THE MINE AREA.
3. USE BEAM SUPPORTS OR BEAM SEATS, AT CONTRACTOR'S OPTION WITH CONCURRENCE FROM THE PROJECT MANAGER, TO FASTEN BEAM ENDS TO COMPETENT ROCK.
4. STEEL SHAPES, PLATES AND BARS SHALL BE WEATHER OR STAINLESS STEEL.
5. PUT 1/4" CHAMFER ON ANY CONCRETE EDGES.
7. ANCHOR BOLTS SHALL BE ZINC-PLATED HILTI HIT ADHESIVE ANCHORS OR APPROVED EQUIVALENT. FOLLOW MANUFACTURER'S RECOMMENDATIONS REGARDING INSTALLATION.
8. DO NOT FILL BEAMS WITH CONCRETE OR GROUT.
9. INSTALL SURVEY MARKER (SUPPLIED BY AML PROGRAM) INTO ADJACENT COMPETENT ROCK AS DIRECTED BY THE PROJECT MANAGER.

CAUTION - THIS PROJECT REQUIRES CONSTRUCTION WORK IN, AROUND, AND OVER HAZARDOUS AND UNPROTECTED MINE SHAFTS, STOPS, ADITS, AND OTHER OPENINGS WHICH MAY BE OPEN TO THE SURFACE OR HIDDEN FROM VIEW BY TRASH, DEBRIS, OR THIN AND UNSTABLE LAYERS OF SURFACE MATERIALS OR ROCK. THE CONTRACTOR SHALL BE RESPONSIBLE FOR THOROUGHLY INVESTIGATING THE SITE CONDITIONS AND SCHEDULING EQUIPMENT, EQUIPMENT OPERATIONS, PERSONNEL AND SAFETY PROCEDURES TO PREVENT ACCIDENTS AND INJURIES.

ABANDONED MINE LAND PROGRAM		
MINING AND MINERALS DIVISION		
NEW MEXICO ENERGY, MINERALS, AND NATURAL RESOURCES DEPARTMENT		
SCALE: AS SHOWN	VARIOUS LOCATIONS	DRAWN BY: MWT
DATE:		REVISED BY:
HORIZONTAL BAT GATE CLOSURE DETAILS		
FILE:	COOKES PEAK WEST MINE SAFEGUARD PROJECT-PH.II	FIGURE: 6

