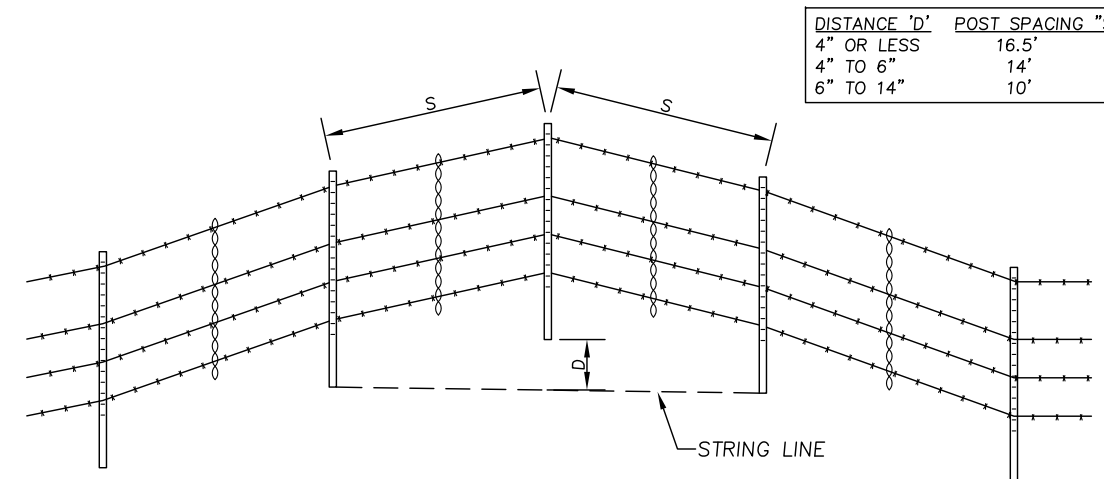
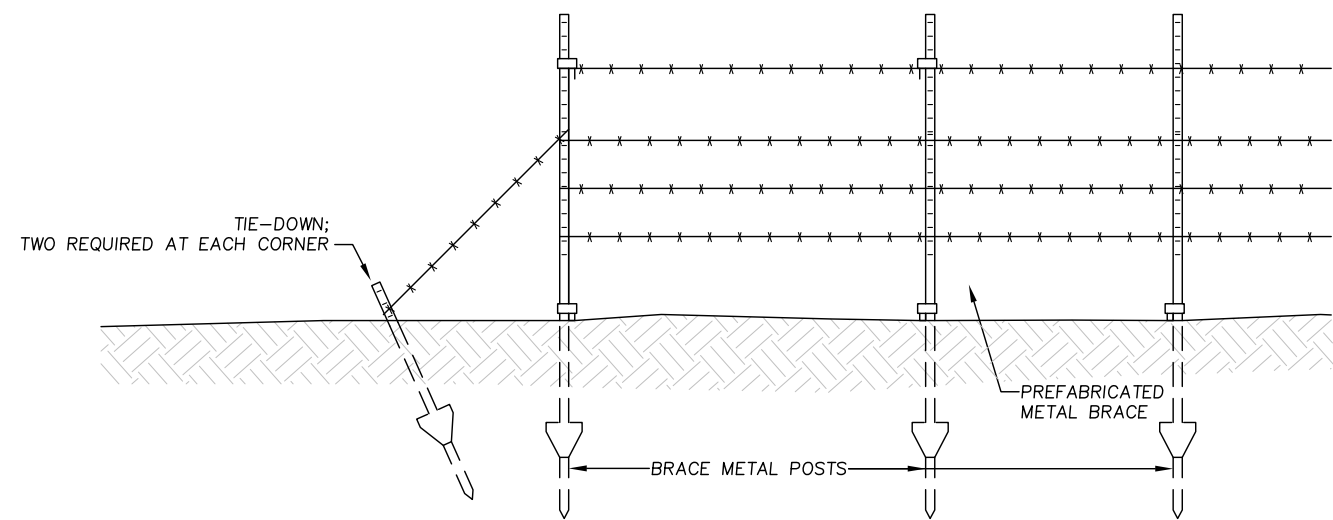


NOTE: ADD ADDITIONAL WIRE AND A ROCK DEADMAN (MINIMUM WEIGHT 50 LBS.) WHEN SPACE BETWEEN BOTTOM WIRE AND GROUND EXCEEDS 20 INCHES.



DISTANCE 'D'	POST SPACING 'S'
4" OR LESS	16.5'
4" TO 6"	14'
6" TO 14"	10'



NOTES ON CONTOUR FENCING:

1. CONTOUR FENCING MAY BE USED WHERE A CURVED FENCE LINE IS DESIRABLE, WITH THE CONCURRENCE OF THE PROJECT MANAGER. PLACE THE WIRES ON THE OUTSIDE OF THE POSTS ON CURVE SO THAT, WHEN THE WIRE IS STRETCHED, IT WILL PULL AGAINST THE POSTS AND NOT AGAINST THE TIES.
2. SET POSTS FOR CONTOUR FENCING LEANING OUT A FEW INCHES; POSTS SHALL STRAIGHTEN TO A PLUMB POSITION WHEN WIRE IS STRETCHED. STRETCH TO MODERATE TENSION FOR A CURVED FENCE; THE SHARPER THE CURVE, THE LESS TENSION IS NEEDED.
3. USE CLAMPS PROVIDED BY THE MANUFACTURER TO ATTACH METAL POSTS TO PANELS AND BRACES. INSTALL BRACE PANELS ACCORDING TO MANUFACTURER'S INSTRUCTIONS. PREFABRICATED PANELS AND BRACES SHALL BE 'EASY FENCE' BY D-C INDUSTRIES OR EQUIVALENT.
4. RUN FENCE IN STRAIGHT LINES BETWEEN END AND CORNER POSTS, EXCEPT WHERE CONTOUR FENCING IS USED.
5. AVOID ACUTE ANGLES (LESS THAN 90°) AT FENCE CORNERS.

ABANDONED MINE LAND PROGRAM MINING AND MINERALS DIVISION NEW MEXICO ENERGY, MINERALS, AND NATURAL RESOURCES DEPARTMENT			
SCALE: AS SHOWN DATE: 12/15/11	VARIOUS LOCATIONS BARBED WIRE FENCE	DRAWN BY: JAK REVISED BY: MWT	
FILE:	CLEVELAND MINE SAFEGUARD PROJECT	FIGURE: 15	