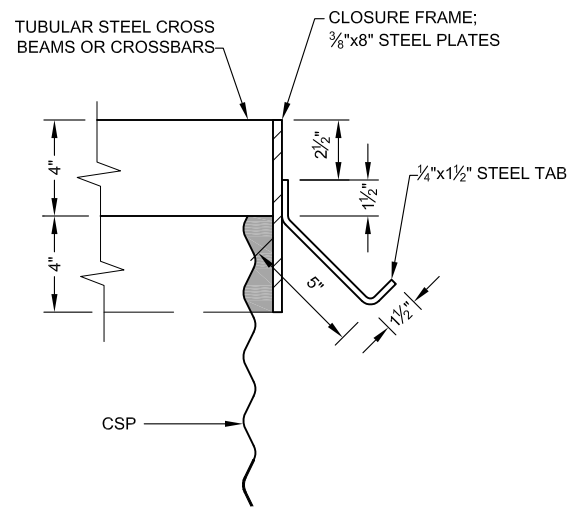


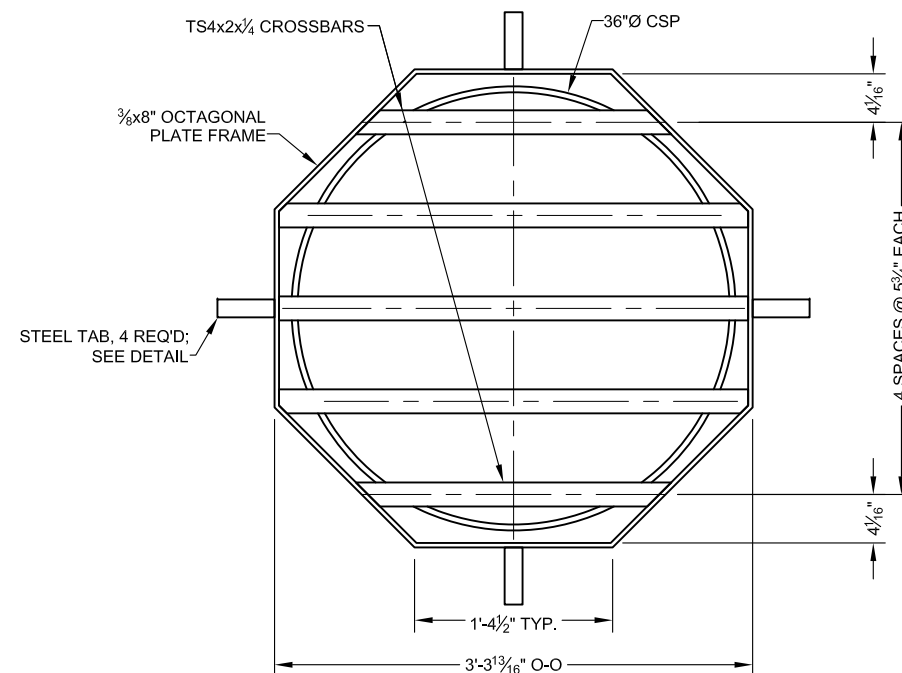
PLAN

SCALE: 1/2" = 1'-0"



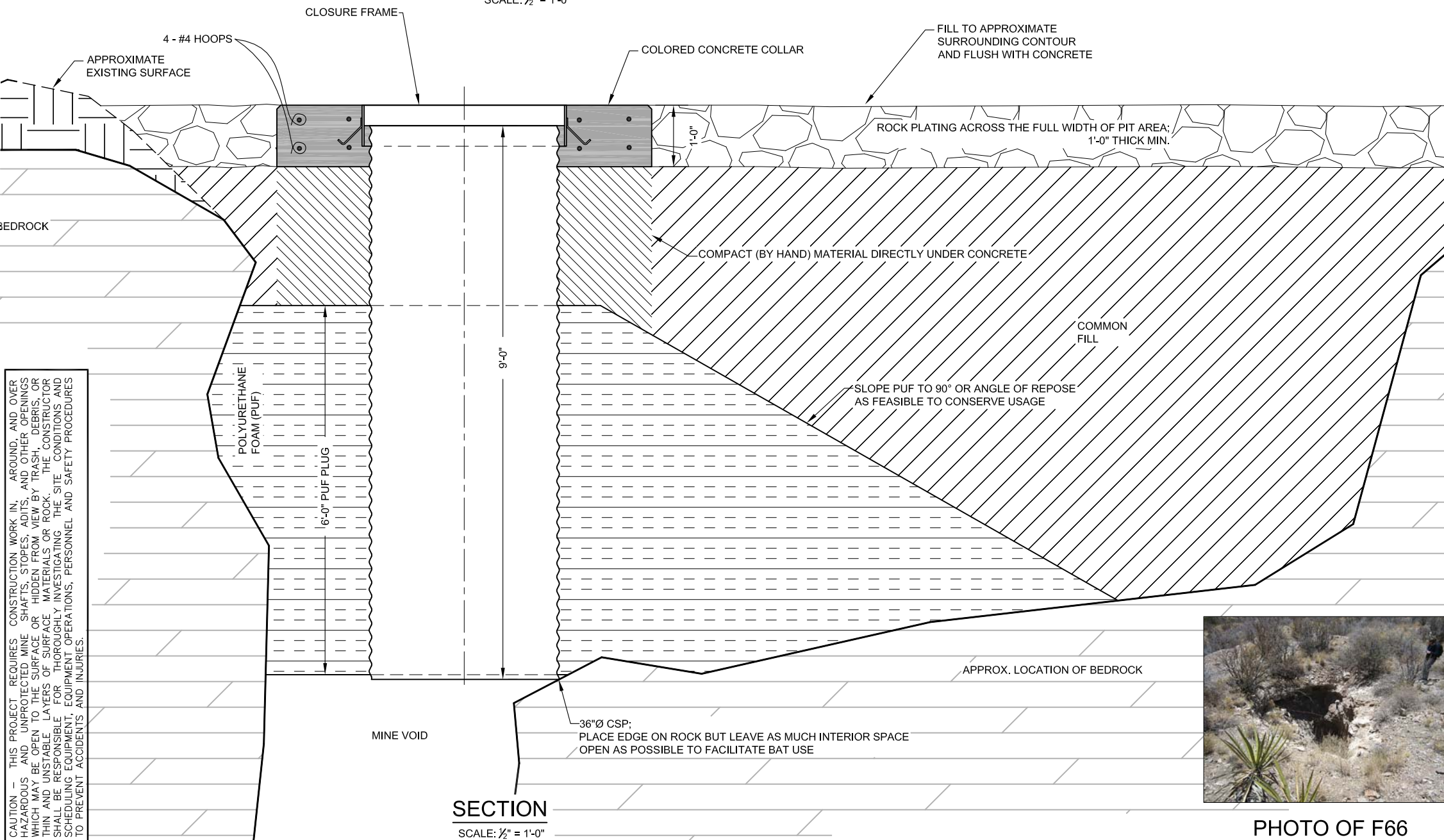
STEEL TAB DETAIL

SCALE: 1/2" = 1'-0"



CLOSURE FRAME ASSEMBLY

SCALE: 3/4" = 1'-0"



SECTION

SCALE: 1/2" = 1'-0"

GENERAL NOTES:

1. THIS DRAWING SHOWS THE GENERAL SHAPES AND APPROXIMATE SIZES OF THE MINE OPENINGS AND THE CORRESPONDING LAYOUTS OF THE FRAME AND RISER PIPE. THE DRAWING SHALL BE USED AS A GUIDE FOR FIELD LAYOUT. DETERMINE THE ACTUAL LAYOUTS AND DIMENSIONS OF THE CLOSURES IN THE FIELD PRIOR TO FABRICATION.
2. USING A COMPRESSED AIR LANCE OR EQUIVALENT, REMOVE DIRT AND LOOSE ROCK FROM ALL SURFACES AGAINST WHICH POLYURETHANE FOAM (PUF) WILL BE PLACED. PLACE PUF AGAINST CLEAN, DRY SURFACES.
3. COVER ALL POLYURETHANE FOAM SURFACES COMPLETELY WITHIN ONE HOUR OF INSTALLATION TO PREVENT UV DEGRADATION.
4. MINIMIZE THE AMOUNT OF ROCK AND OTHER DEBRIS THAT FALL INTO THE MINE OPENINGS DURING CONSTRUCTION. PULL LOOSE MATERIAL UP AND AWAY FROM THE MINE AREA.
5. THOROUGHLY COMPACT ALL FILL UNDERNEATH THE CONCRETE COLLAR.
6. FILL THE ANNULAR SPACE BETWEEN THE CLOSURE FRAME AND CSP RISER WITH NON-SHRINK GROUT. SLOPE GROUT TO DRAIN INTO CSP.
7. SLOPE THE FINISH GRADE TO DRAIN STORM WATER DOWNHILL AND AWAY FROM THE COLLAR.
8. PUT 3/4" CHAMFER ON CONCRETE EDGE.
9. FOR DRAINAGE, DRILL FOUR 1/4"Ø HOLES IN CSP JUST ABOVE PUF PLUG. TREAT CUT/DRILLED AREAS IN CMP WITH ZINC-RICH PAINT AS PER ASTM A780.
10. ROCK PLATING SHALL BE SOUND, DURABLE NATIVE ROCK AS LARGE AS PRACTICABLE AND NO SMALLER THAN 6" IN LEAST DIMENSION. PLACE ROCK PLATING AS SHOWN AND ACROSS FULL WIDTH OF MINE OPENING. DO NOT BLOCK THE CSP OPENING.
11. INSTALL SURVEY MARKER (SUPPLIED BY AML PROGRAM) INTO CONCRETE AS DIRECTED BY THE PROJECT MANAGER.



PHOTO OF F66

CAUTION - THIS PROJECT REQUIRES CONSTRUCTION WORK IN, AROUND, AND OVER HAZARDOUS AND UNPROTECTED MINE SHAFTS, STOPS, ADITS, AND OTHER OPENINGS WHICH MAY BE OPEN TO THE SURFACE OR HIDDEN FROM VIEW BY TRASH, DEBRIS, OR THIN AND UNSTABLE LAYERS OF SURFACE MATERIALS OR ROCK. THE CONSTRUCTOR SHALL BE RESPONSIBLE FOR THOROUGHLY INVESTIGATING THE SITE CONDITIONS AND SCHEDULING EQUIPMENT, EQUIPMENT OPERATIONS, PERSONNEL AND SAFETY PROCEDURES TO PREVENT ACCIDENTS AND INJURIES.

ABANDONED MINE LAND PROGRAM		
MINING AND MINERALS DIVISION NEW MEXICO ENERGY, MINERALS, AND NATURAL RESOURCES DEPARTMENT		
SCALE: AS SHOWN	F66	DRAWN BY: MWT
DATE:		REVISED BY:
HORIZONTAL BAT GATE CLOSURE		
FILE:	COOKES PEAK WEST MINE SAFEGUARD PROJECT-PH.I	FIGURE: 3